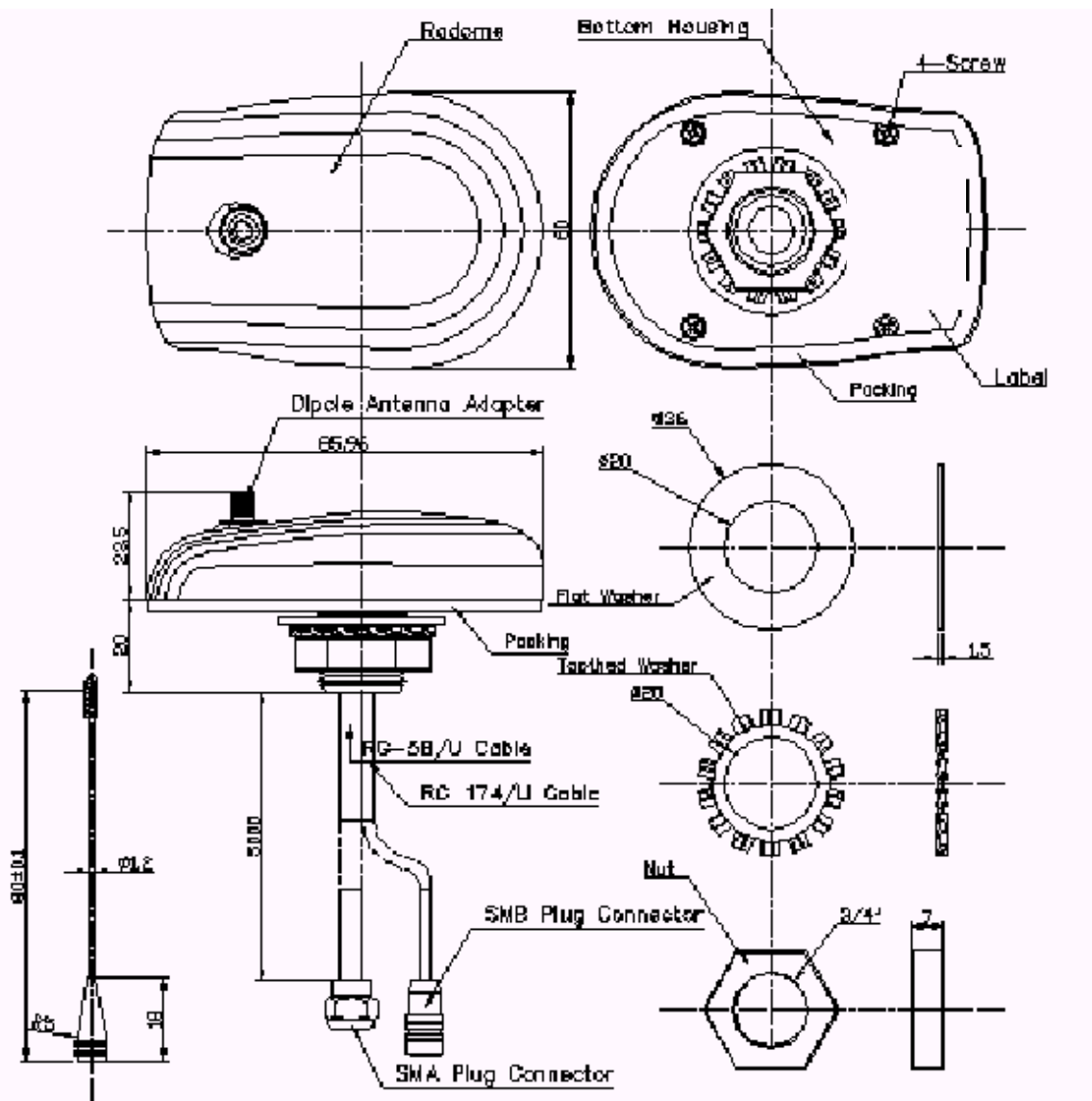


GPS & Cellphone Antenna

GLP1-CA

Specifications

GPS Antenna:	
Frequency	1575 ± 3 MHz
VSWR	2.0 max.
Bandwidth	10 MHz min.
Impedance	50 Ω
Peak Gain	4 dBic min.
Gain Coverage	≥ -4dBic at -90° ≤ θ ≤ 90° (over 75% volume)
Power Handling	1 watt
Polarization	RHCP
Amplifier Gain without cable	27 dB typical
Noise Figure	1.5 dB typical
Output VSWR	2.0 max.
Filtering	-25dB (±100MHz)
DC Voltage	DC 3 to 5 V
DC Current	22 mA max.
Cellular Antenna	
Frequency	824 – 894 MHz
VSWR	2.0 : 1
Impedance	50 Ω
Peak Gain	0 dBd min.
Polarization	Linear
Pattern Type	Omni-directional
Mechanical:	
Weight	≤ 380 gram
Size	86 x 60 x 25 mm (without dipole antenna) 86 x 60 x 80 mm (with dipole antenna)
Cable	GPS: 5m RG-174/U Cellular: 5m RG-58/U
Connectors	GPS: BNC, SMA, SMB, SMC etc. Cellular: BNC, SMA, TNC
Mounting	Thread permanent mount
Housing Color	Black
Environmental:	
Working Temperature	-40°C < T < +85°C
Storage Temperature	-40°C < T < +85°C
Vibration	Sine Sweep, 1G(0-P), 10-150-10Hz each axis
Humidity	95%~100% RH



Housing Material: PC
 Unit: mm