

TLP-F02 User Manual

V1.0

Description	Remote Control / Transmitter	
Model	TLP-F02	
Appearance :		
		
Material:		
Material	Specification	Color
PCB	Two layers	Green
Faceplate	PC	Black
Casing	ABS	Black
Button	2	1 Red / 1 Gray

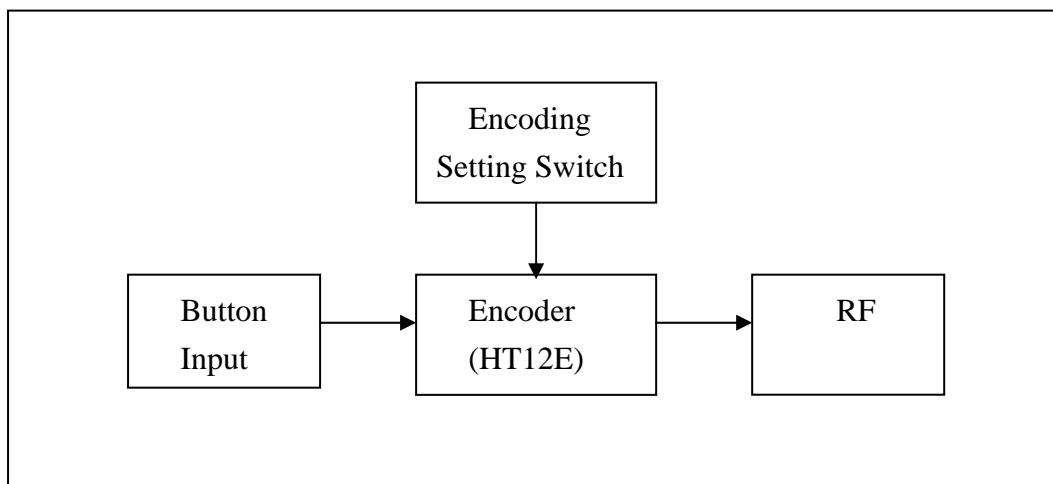
Specifications

Frequency	433.9MHz
Modulation type	ASK
Channel Spacing	±250KHz
Distance	25~120M (Depending on Receiver's sensitivity)
Battery	DC 12V
Current	5.6mA ± 0.5mA

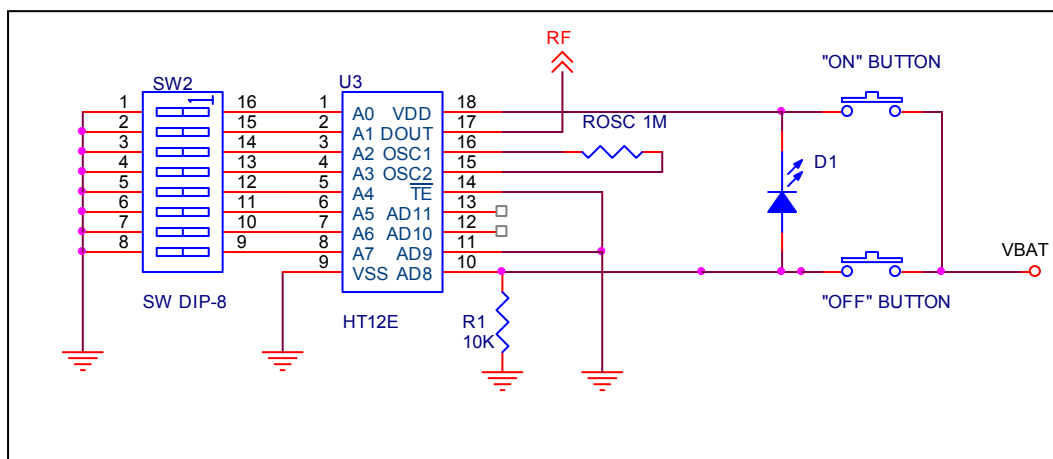
FCC Approved: Rule Parts 15.231

Application Notes

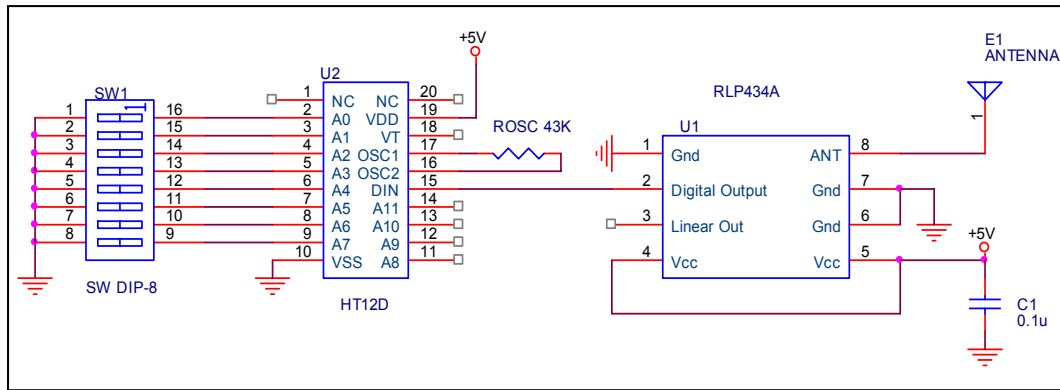
1. TLP-F02 Diagram



2. TLP-F02 Encoding Circuit



3. Receiver Side Reference Circuit



4. Transmitter and Receiver Status table

Transmitter Side						Receiver Side			
“ON” Button	“OFF” Button	AD8	AD9	AD10	AD11	A8	A9	A10	A11
Pressed	released	0	0	X	X	0	0	X	X
x	pressed	1	0	X	X	1	0	X	X
released	released	Power off				Hold the status when button pressed			

Note:

Please refer to the datasheets of HT12E and HT12D for detailed information about encoding and decoding circuit.