

Look Watch

Quick Start Guide
Safety & Warranty Information

TABLE OF CONTENTS

1. SAFETY INFORMATION
2. QUICK START GUIDE
3. INTERNATIONAL LIMITED WARRANTY



Look



LAIPAC

www.laipac.com

1. SAFETY INFORMATION

Please read the following relevant information before using the Look Watch and continue to follow the safety instructions for daily use. Keep this booklet in a safe place for future reference when needed.

Look Watch is a high-performance standalone smart watch with cell phone connectivity (3G), Wi-Fi, Bluetooth, GPS, Heart Rate sensor and Motion sensor. It is not intended to be used as a medical device, and it is not a fitness tracker either. The Look Watch can be inserted with Nano SIM card of your preferred cell phone provider. A special screwdriver is included in the accessories to open the SIM card cover in the bottom of the watch. It can also pair with a phone running Android 5.0+ or iOS8.0+. Supported features may vary. The Look Watch requires the use of the charging accessories provided with it. The accessories supplied with your Look Watch contain a micro USB cable, a charging cradle and a wall USB adaptor.

Important safety precautions

Please note that failure to comply with the following instructions may cause malfunctions of the watch or be hazardous to the user. Therefore, it may also reduce the benefit from the warranty.

1.a General

Do not use or store the Look Watch in dusty and dirty places as the components may be damaged. Do not store the Look Watch in warm and hot places because a high temperature can cause malfunction of components, reduce the life cycle of the device and damage the internal Li-Ion Polymer batteries. Do not store the Look Watch in cold areas. When the Look Watch warms up to room temperature, moisture can form inside the Look Watch, which may damage the electronic circuits. Do not attempt to open the Look Watch's casing. It may cause damages to your Look Watch and will void the warranty. Do not drop the Look Watch or apply heavy weigh on the Look Watch. Do not use sharp objects on the watch's touch screen or apply excessive force to it. Do not use chemicals or cleaning solvents to clean the Look Watch. Do not bend the joint between the wristband and the watch with strong force as it may affect the built-in antenna's performance. When using Bluetooth headphones with Look Watch, be aware of the high volume which may damage the hearing. Look Watch has fall detection feature, and it's only meant to be worn on the wrist while the fall situation happens. Dropping the watch to the ground for the testing of fall detection feature can cause damage to the watch. The warranty does not cover the damage from impact.

1.b Liquid Exposure

The Look Watch has water resistance rating of IP67 under IEC standard 60529, but it is not 100% waterproof. The Look Watch should not be submerged. Do not wear Look Watch for swimming, showering, bath, surfing, jet skiing, water skiing, for sauna and steam room. It is ok to use Look Watch during exercise in rain or boating activities. If water splashes on the Look Watch, wipe it off with a nonabrasive fabric. Avoid contact with soap, detergent, acids, perfume, sunscreen, lotions, oil, salt water, pool water, repellent, paint remover and chemical liquid in general. Dropping the Look Watch with impacts will affect the water resistance level of the watch.

1.c Proper Handling

Never apply excessive pressure to buttons on the Look Watch. Do not force the charging connect or into a port during charging. If the connector and port do not join easily, check and make sure that they connect or matches the port and that you have positioned the connector correctly. Regularly inspect the cable and the connector of the charger and USB adaptor. Excessive pulling of cable, plug, and connector during the

charging activities may cause the breaking of cable and connector. Do not use the cable if you find breaking in the cable joints. Discoloration of accessories after regular use is normal. If your accessories become warm during use or if the Look Watch does not charge, disconnect the cable from the USB adapter and clean it with a dry and non abrasive cloth. Do not use liquids or cleaning products when cleaning the accessories.

1.d Health & Safety

Look Watch is not a medical device. It is not intended for use where the failure of the device could lead to death, personal injury, or property damage. Look Watch, and the apps are not designed and intended for medical usage in the diagnosis, prevention, treatment or curing of diseases. Look Watch is an Android OS device, and users can download fitness and exercise apps to use. Always consult your physician before using the Look Watch for your exercise activities. You assume all associated inherent risks including any injury that may result from your exercise activities. Be careful always while exercising, and immediately stop if you feel pain, dizzy, exhausted or short of breath. Some people are more likely to experience irritation from wearable device due to allergies or other skin sensitivities. If you know about your skin sensitivities, please take special care when wearing the Look Watch. Remove the Look Watch periodically to allow your skin to breathe. Don't wear the watch too tight. Keep the Look Watchbands dry and clean. If you experience itchiness, redness, and discomfort on your skin by wearing Look Watch, please remove the Look Watch and consult your physician before using it again. Keep the Look Watch and its accessories out of the reach of small children. Do not use your Look Watch while driving. Radio frequency signals might affect improperly installed electronic systems in motor vehicles. Use of Look Watches while driving may also cause vehicles accidents that can lead to personal injuries, property losses or even death.

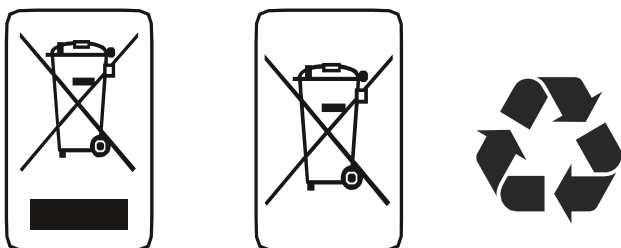
1.e Electrical Safety

Your Watch is provided with the following charging accessories: micro USB cable, charging cradle, wall plug. Use only approved charging accessories by Laipac Technology. Using any accessories not approved by Laipac with your Look Watch might void the standard warranty of your Look Watch and may result in the malfunction of the device. It is essential to keep the Look Watch and the accessories in a well-ventilated area when charging. When a charger is not in use, disconnect it from the power source. Before you use any power supply, verify the primary voltage following the voltage printed on the power supply. Do not overload power outlet, extension cords or convenience receptacles because this might result in a risk of fire or electric shock. To reduce the risk of damage to the cord or the wall charger, pull the wall charger rather than the cord when you disconnect the charging accessory from the power outlet or convenience receptacle. Using damaged Look Watch charging accessories, or charging when moisture is present, can cause a fire, electric shock, injury, or damage to the user or the Look Watch or properties. Be sure the Look Watch and the charging accessories are dry before charging. When you use the charging accessories to charge the Look Watch, make sure that the USB plug is fully inserted into the adapter before you plug the adapter into a power outlet. More recommendations are as below:

- Do not wear the Look Watch while it is charging. Avoid prolonged skin contact with it when it's connected or when the cable is plugged into a power source because it may cause discomfort or injury.
- Do not expose the charger to water while in use; this may cause the charger and the watch to fail.
- Carefully insert the USB cable into the charger base, forcing the cable in the wrong direction will damage the charger.
- It is recommended to charge the watch in a cool place. Do not charge the watch with direct sunlight on the watch to prevent overheating of the watch.

- ❑ When the watch is placed on the charger, and the charger is plugged into a wall, a charging screen will be displayed on the watch face, indicating the % of the charge in the battery. Remove the watch from the charger once it is fully charged.
- ❑ If the watch fails to charge, check that the wall plug is fully inserted into the wall outlet, the USB cable is firmly attached to the charger, and the watch is placed correctly on the charger. If the watch still does not charge, make sure that there is no dirt or obstruction on the charger's pins and make sure the back of the watch is clean.
- ❑ The charger contains a small magnet to ensure proper alignment and attachment of the watch to the charger. Please keep the charger away from metal.
- ❑ Use of Look Watch in places with air contains high levels of flammable chemicals, vapors, dust or metal particles could be hazardous.

Your Look Watch contains a built-in Li-Ion Polymer battery that is not replaceable or removable by users. Do not try to replace or remove Look Watch's battery by yourself. Tampering and attempting to open the watch will void the warranty and may result in a safety hazard. For any handling of the battery, please contact Laipac Technology Inc.



Your Look Watch, its accessories and its battery contain hazardous substances. They must not be disposed of house hold waste. They are subject to specific local regulations to be collected separately.

The correct disposal and recycling of material will help to improve our living environment. For more information about disposal of used electric and electronic equipment and batteries, please contact your local city office.

1.f Proper Maintenance and Usage

Clean the Look Watch with dry cloth frequently and clean out salt water, sweat, perfume, lotions, sunscreen, oil, pool water, dirt, food stain, soap, acid, ink and all liquids other than fresh water. Do not use cleaning products at all. And do not clean the Look Watch while it is charging, and do not dry the Look Watch with a hairdryer. Switch off your Look Watch on airplanes and in places like hospital and gas station, where the use of a cell phone is prohibited. Look Watch may interfere with pace makers, defibrillators and other medical devices. Consult your physician and medical device's manufacturers for your use of Look Watch while using the medical devices. Stop using the Look Watch immediately if you have any doubt about the interference with your pace maker, defibrillator, or any other medical device. You can also disable the wireless functions on Look Watch using following steps:

- ❑ Press the power button to wake up the watch
- ❑ Swipe down and then swipe right to left to the configuration screen
- ❑ Touch the icons of WiFi, BT, Cell phone and GPS to disable them

The standard operating temperature of the Look Watch is from 0 to 45° C (32 to 113° F). The Look Watch can be damaged and battery life shortened if stored or operated outside of these temperature ranges. If the temperature of Look Watch exceeds average operating temperatures, the display may dim, and the charging will be slow as the electronic circuit trying to regulate its functions. Also in contact with warm surfaces for long periods of time may cause discomfort or injury. The Look Watch and its accessories will become warm when plugged into a power source. While the Look Watch is charging, do not sleep on them or place them under a blanket, pillow, or your body. Pay extra attention if you have skin conditions for warm temperature; remove the Look Watch if it is uncomfortable to wear.

1.g Radio Safety

Look Watch is a radio transmitter and receiver that uses internal antennas to send and receive radio frequency (RF) for data and voice communications. Look Watch meets the US, Canada, EU requirements for exposure to radio waves. It is designed and manufactured not to exceed the emission limits for exposure to RF energy set by the Federal Communications Commission (FCC), Industry Canada (IC) and the European Union Regulation (CE) to ensure the safety of all persons, regardless of age or condition.

1.h Intellectual Property

All Intellectual Property, as defined below, owned by or which is otherwise the property of Laipac or its respective suppliers relating to the Laipac devices, including but not limited to, accessories, parts, or software relating thereto (the "mobile device"), is proprietary to Laipac and protected under federal laws, state laws, and international treaty provisions. Intellectual Property includes, but is not limited to, inventions (patentable or un-patentable), patents, trade secrets, copyrights, software, computer programs, and related documentation and other works of authorship. You may not infringe or otherwise violate the rights secured by the Intellectual Property. Moreover, you agree that you will not (and will not attempt to) modify, prepare derivative works of, reverse engineer, decompile, disassemble, or otherwise attempt to create source code from the software. No title to or ownership in the Intellectual Property is transferred to you. All applicable rights of the Intellectual Property shall remain with Laipac and its suppliers.

1.i Open Source Software

Some software components of this product incorporate source code covered under GNU General Public License (GPL), GNU Lesser General Public License (LGPL), Open SSL License, BSD License and other open source licenses.

2. QUICK START GUIDE

Congratulations on your Look Watch purchase. You have made an excellent choice.

Each Look Watch is built with the highest quality to meet the most requirements. The materials used in Look Watch make them exceptionally robust and reliable under the most rigorous conditions.

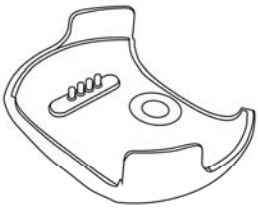
This document is a quick start guide providing information on your Look Watch basic functions only. For more information and exclusive content, please go to www.laipac.com.

COMPATIBILITY

To make your Look Watch function, you will need to have a phone running Android 4.3+ or iOS 8.2+. Supported features may vary between platforms.

ACCESSORIES PROVIDED WITH LOOK WATCH

Your Look Watch should be provided with a charging cradle, screwdriver for SIM card cover, micro USB cable* and wall plug*. *Design or availability may vary depending on the region.



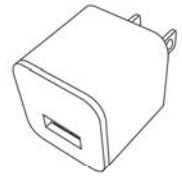
Clamshell adaptor



Micro USB cable*

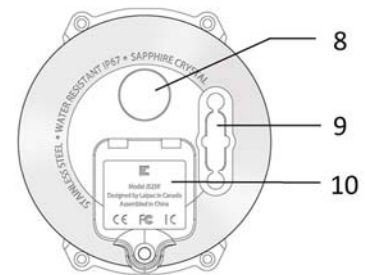
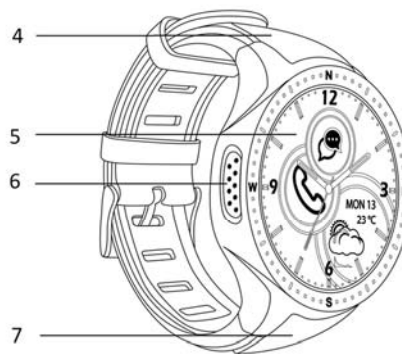
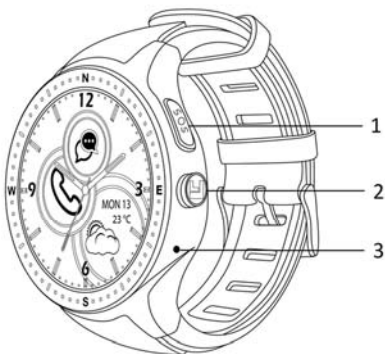


Screw Driver*



Wall plug*

Look Watch Front and Back View



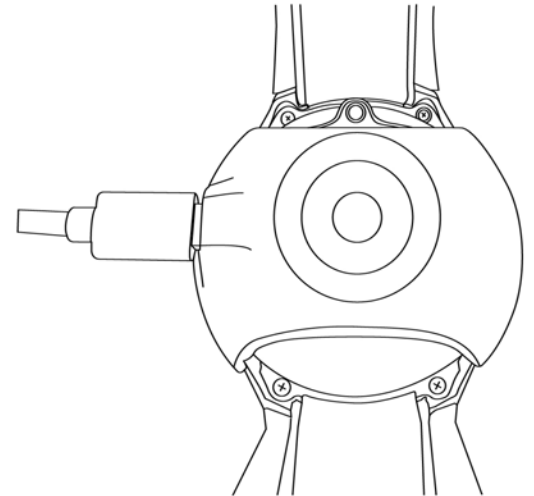
1. **SOS button:** Press to call pre-programmed emergency number and send SMS
2. **Power/Back button:** Press and hold to turn the device on or off. Press to turn on the screen. Press to return to the previous screen.
3. **Microphone:** Detect voice command and make calls as a cell phone
4. **WiFi, Bluetooth, and GPS antennas:** Embedded inside the wristband.
5. **Touch screen:** Press and hold one second to change the watch-face design, tap to open an app, or enter a character using the keyboard.
6. **Speaker:** Play music and answer phone calls as speakerphone
7. **Cell phone Antenna:** Embedded inside the wristband
8. **Heart Rate Sensor:** Measure your heart rate on your wrist using the Health app
9. **Magnetic Charging Contacts:** Place with the charging clamshell adaptor for battery charging
10. **SIM Card Slot:** Open with the screwdriver to insert Nano SIM card. Using SIM card with voice and data plan is recommended.

Prepare and charge your device before use.

Charge the battery before using it for the first time or when it sits unused for extended periods. Warning: Use only charging devices and batteries approved by Laipac. Laipac accessories are designed for your device to maximize battery life. Using other accessories may invalidate your warranty and may cause damage.

1. Connect the micro USB cable to the wall plug then connect the other end of the USB cable to the clamshell adaptor.
2. Plug the USB charger head into an electric socket.
3. Place the Look Watch on the clamshell adaptor to match with the charging contacts.

When you connect the Look Watch to charge, and the device is off, wait for 10 seconds then press the Power/Back button once to check the battery level % on the screen.



Battery Charging Tips and Precautions

- If the battery is completely discharged, the Look Watch will not be turned on in 10 seconds after being connected to the charger. Allow a depleted battery to charge for a few minutes before pressing the Power/Back button to check the battery level or press and hold to turn on the Look Watch. If you use multiple apps at once, the battery will drain quickly. To avoid losing power during a data transfer, always use the apps after fully charged the battery.
- Using a power source from computer's USB may result in a slower charging speed due to a lower current circuit. The same happens if charging the Look Watch with multiple chargers connected to the same electrical outlet.
- The Look Watch can be used while it is charging, but it may take longer to charge the battery fully. If the Look Watch is connected to an unstable power source, the display may not function, if this happens, disconnect the Look Watch and use more stable power source.

Wear the Look Watch

Open the buckle and place the strap on your wrist. Fit the strap to your wrist, insert the pin into a hole and secure the buckle to close it. The wristband is not exchangeable due to embedded antennas inside.

Standalone Mode

You do not need to pair Look Watch to a smartphone in order to use it. You can insert SIM card (Nano) to make and receive calls and messages and access internet with a voice and data plan.

Connect the Look Watch to a smartphone

To connect your Look Watch to a smartphone, go to Settings > Connect, then select Bluetooth and turn on the Bluetooth to search for your phone. Also turn on Bluetooth of your phone and search for Look for pairing. Once the pairing is done, you can sync your contact of your phone to your Look Watch. You can send and receive messages using the downloaded Contact list. It is compatible with smartphone devices running Android 5.0+ or iOS 8.0+. Connection methods and screenshots may vary depending on your phone and software version, also depending on your region, service provider, and device manufacturer.

Bluetooth Call

You can also pair your Look Watch with your smartphone via Bluetooth with the default Bluetooth Call app to make and receive phone calls from your phone.

Watch Screen and Watch Faces

You can view the current time and check the battery life, the date, missed calls, and messages. Also, the status of Guardian Angel Connect app. Press the Power/Back button to open the watch screen when the watch screen is off. Touch and hold the watch screen, and then the watch face will shrink to a smaller size. You can then swipe left and right to view available watch faces. Tap the watch face to select it. To set the watch screen on for more than 15 seconds, go to Settings in the app menu and select Display. It will allow you to select the length of watch screen on from 15 seconds to 30 minutes. The battery will consume faster when the watch screen is set to be ON for an extended period. The option of turning on watch screen by tilting the wrist is available through the Gesture under the menu Settings.

3. INTERNATIONAL LIMITED WARRANTY

PLEASE READ THIS ENTIRE DOCUMENT CAREFULLY. IT CONTAINS IMPORTANT INFORMATION ABOUT YOUR RIGHTS AND OBLIGATIONS

Subject to the exclusions contained below, *Laipac Technology Inc.* warrants to the first consumer purchaser of Look Watch to be free from defects in materials and quality under normal consumer usage for the period outlined below. The first consumer purchaser agrees that there have been no affirmations of fact, promises, or representations made by *Laipac* relating to the Products and becoming part of the basis of the bargain. The descriptions of the Products covered by this Limited Warranty are for purposes of reference only, and there is no express or implied warranty that any Products conform to the description.

THIS LIMITED WARRANTY IS A CONSUMERS EXCLUSIVE AND SOLE REMEDY and applies as follows to new *Laipac* Products purchased by consumers in all countries or territories where an authorized *Laipac* distributor has been appointed, and which are accompanied by this Limited Warranty.

Length of Coverage

One (1) years from the date of purchase by the first consumer purchaser of the Product.

Exclusions

Normal wear and tear: Periodic maintenance, repair and replacement of limited-life consumable products (e.g., wrist band, decal finishes, batteries and other accessories) due to normal wear and tear are excluded from coverage.

Abuse and misuse: Defects or damage that result from:

- Improper operation, storage, misuse or abuse, accident or neglect, including but not limited to physical damage (cracks, scratches, etc.) To the surface of the product;
- Contact with liquid, water, rain, extreme humidity or heavy perspiration, sand, dirt or the like, extreme heat, or food;
- Use of the products for commercial purposes or subjecting the products to abnormal usage or conditions; or
- Other acts which are not the fault or negligence of *LaipacTechnology Inc.* are excluded from coverage.

Use of non-branded or non-certified Laipac Products: Defects or damage that result from the use of Non-*Laipac* branded or certified Products, accessories, software, chargers or other peripheral equipment are excluded from coverage.

Use with genuine OEM supplied equipment: Look Watch is only warranted to work with actual Original Equipment Manufacturer (OEM) supplied mobile phones and accessories as originally manufactured. Look Watch is expressly not warranted for use with any tampered or modified third-party devices where such modifications have been made without the approval of the OEM or its authorized representatives.

Unauthorized service or modification of Laipac Products: Defects or damages resulting from service, testing, adjustment, installation, maintenance, alteration, or modification in any way by someone other than *Laipac* certified engineer, or its authorized service centers, are excluded from coverage.

Altered or modified Products:

Products with:

- Serial numbers or date tags that have been removed, altered or obliterated;
- Broken seals or seals that show evidence of tampering,
- Mismatched board serial numbers,
- Non-conforming or non-look watch housings or parts; or
- Any other alterations or modifications not approved by *laipac* are excluded from coverage.

Communication devices: Defects, damages, or the failure of Products due to any communication service, device or signal you may subscribe to or use with the Products are excluded from coverage.

Who is covered?

This Limited Warranty extends only to the first consumer purchaser and is not transferable.

What Will Laipac Do?

Consumers who believe their Look Watch is faulty should contact the *Laipac* authorized service centers outlined below. Products will be confirmed to be faulty by *Laipac* in its sole judgment, upon testing by *Laipac* or its authorized service centers. If a Product is found to be faulty under the terms of this Limited Warranty, *Laipac* will, at its option, repair or replace any Products that do not conform to this warranty. This shall be the consumers' sole remedy. *Laipac* reserves the right to use functionally equivalent reconditioned/refurbished/pre-owned or new Products, accessories or parts in the warranty process. No hardware, data, software or applications added to your Product, including but not limited to personal contact details. Speed dial numbers will be reinstalled. To avoid losing such hardware, data, software, and applications, please create a backup or remove the hardware before requesting service.

How to Obtain Warranty Service or Other Information

For you to obtain performance under this Limited Warranty, you must contact one of *Laipac* customer service centers:

Contact Details

Laipac Technology Inc.
20 Mural St. Unit 5 Richmond Hill
Ontario Canada L4B 1K3
Tel: (905) 762-1228
Email: info@laipac.com



You will receive instructions on how to ship the Products to a *Laipac* authorized customer service center. You will be liable for all costs associated with shipping the Products to the *Laipac* authorized service center. To obtain service, you must include:

- A return authorization (RMA) form obtained from a *laipac* authorized customer service center;
- A copy of your receipt, bill of sale, or other comparable proof of purchase;
- Your look watch

No returns will be accepted without an appropriately completed RMA form.

What Other Limitations Are There?

THE REPAIR OR REPLACEMENT AS PROVIDED UNDER THIS EXPRESS LIMITED WARRANTY IS THE EXCLUSIVE REMEDY FOR THE CONSUMER. LAIPAC MAKES NO OTHER WARRANTY OF ANY KIND WHATEVER, EXPRESS OR IMPLIED. THIS EXPRESS LIMITED WARRANTY EXCLUDES ALL IMPLIED WARRANTIES, INCLUDING THE IMPLIED WARRANTIES OF MERCHANTABILITY, AND FITNESS FOR A PARTICULAR PURPOSE, AND ANY SUCH IMPLIED WARRANTIES, WHICH EXCEED THE OBLIGATION DESCRIBED ABOVE, ARE HEREBY DISCLAIMED BY LAIPAC AND EXCLUDED FROM THIS EXPRESS LIMITED WARRANTY. THERE ARE NO OTHER WARRANTIES FOR THIS PRODUCT WHICH EXTEND BEYOND THE DESCRIPTION ON THE FACE HEREOF. NO ACTION, REGARDLESS OF FORM, ARISING OUT OF OR ABOUT THIS AGREEMENT, INCLUDING BUT NOT LIMITED TO WARRANTY OR CONTRACT FOR SALE, MAY BE BROUGHT MORE THAN ONE (1) YEAR AFTER THE CAUSE OF ACTION HAS ACCRUED.

IT IS UNDERSTOOD AND AGREED THAT IN NO EVENT SHALL LAIPAC BE LIABLE, WHETHER IN CONTRACT, IN TORT (INCLUDING, BUT NOT LIMITED TO NEGLIGENCE), OR UNDER ANY WARRANTY, FOR: (1) DAMAGES IN EXCESS OF THE PURCHASE PRICE PAID FOR THE PRODUCT; (2) ANY INDIRECT, INCIDENTAL, SPECIAL, CONSEQUENTIAL, OR ANY OTHER TYPE OF DAMAGES (INCLUDING WITHOUT LIMITATION, ATTORNEYS FEES AND COSTS) OF ANY KIND; (3) ANY LOSS OF REVENUE OR PROFITS; (4) ANY LOSS OF BUSINESS, OR GOODWILL; (5) ANY LOSS OF INFORMATION, DATA, SOFTWARE, APPLICATIONS; OR (6) ANY OTHER FINANCIAL LOSS ARISING OUT OF OR IN CONNECTION WITH THE ABILITY OR INABILITY TO USE THE PRODUCTS, TO THE FULL EXTENT THESE DAMAGES MAY BE DISCLAIMED BY LAW. THE PRICE PAID FOR THE PRODUCT IS A CONSIDERATION IN LIMITING LAIPAC LIABILITY TO REPAYMENT OF NO MORE THAN THE PURCHASE PRICE PAID BY THE CONSUMER.

THE CONSUMER ASSUMES ALL RISK AND LIABILITY FOR LOSS, DAMAGE, OR INJURY TO ANY PERSON OR PROPERTY ARISING OUT OF USE OR POSSESSION OF ANY LAIPAC PRODUCT COVERED BY THIS LIMITED WARRANTY WHICH IS NOT THE FAULT OR NEGLIGENCE OF LAIPAC.

Some states, countries, and jurisdictions do not allow the limitation or exclusion of liability, or incidental or consequential damages, or limitation on the length of an implied warranty, so the above limitations or exclusions may not apply to you. This Warranty gives you specific legal rights, and you may also have other rights that vary from state to state or from one jurisdiction to another.

The consumer acknowledges and agrees that he or she has read, or has voluntarily chosen not to read, after being given a reasonable opportunity to do so, the instruction manual for this Product which is available at www.laipac.com or that came with the product either in paper or PDF format before use.

The consumer further acknowledges and agrees that he or she has read, or has voluntarily chosen not to read, after being given a reasonable opportunity to do so, the Limited Warranty for this Product.

The consumer acknowledges and agrees to all terms stated within this Limited Warranty.

The first consumer purchaser acknowledges and agrees that he or she shall not be deemed to be a merchant. Laws in Canada, the United States of America and other countries preserve for *Laipac* certain exclusive rights for copyrighted *Laipac* software such as the exclusive rights to reproduce and distribute copies of the *Laipac* software. *Laipac* software may only be copied into, used in, and redistributed with, the Products associated with such *Laipac* software. No other use, including without limitation disassembly of such *Laipac* software or exercise of the exclusive rights reserved for *Laipac*, is permitted.

Export Law Assurances

This Product is controlled by the export regulations of Canada and the United States of America. The Governments of Canada and United States of America may restrict the exportation or re-exportation of this Product to specific destinations. For further information contact the Canadian Department of Foreign Affairs and U.S. Department of Commerce.

Trademarks and Patents

Laipac and Look Watch are trademarks of *Laipac* and may not be used without permission. The *Laipac* and Look Watch logos are registered in the U.S. Patent and Trademark Office and globally with the World Intellectual Property Organization under the Madrid protocol and owned by Laipac Technology, Inc., and any use of such marks by *Laipac* Technology is under license. The names of other companies, products and services are the property of their respective owners. *Laipac* reserves its rights absolutely on any and all of its patents and patents pending globally.

Severability

If any clause or provision of this Limited Warranty is negated because a provision or clause, or application thereof, is held invalid, and such invalidity would change or modify the obligations of the parties as contemplated in light of the assumed validity of such provision or clause, or application thereof, the remainder of this Limited Warranty shall not be affected.

Thank you for choosing Look Watch

Look Watch

Guide de démarrage rapide
Sécurité et garantie

TABLE DES MATIÈRES

1. CONSIGNES DE SÉCURITÉ
2. GUIDE DE DÉMARRAGE RAPIDE
3. GARANTIE LIMITÉE INTERNATIONALE



Look



LAIPAC

www.laipac.com

1. CONSIGNES DE SÉCURITÉ

Veillez lire les informations suivantes avant d'utiliser la Look Watch et continuer à suivre les consignes de sécurité pour une utilisation quotidienne. Conservez ce livret dans un endroit sûr pour référence ultérieure en cas de besoin

Look Watch est une montre intelligente autonome haute performance avec connectivité pour téléphone portable (3G), Wi-Fi, Bluetooth, GPS, cardiofréquencemètre et capteur de mouvement. Elle n'est pas prévue pour être utilisée comme un dispositif médical, et ce n'est pas un traqueur de remise en forme.

La montre Look Watch peut être insérée avec une carte Nano SIM de votre fournisseur préféré.

Un tournevis spécial est inclus dans les accessoires pour ouvrir le couvercle de la carte SIM dans le bas de la montre. Elle peut également être associée à un téléphone avec Android 5.0+ ou iOS8.0+. Les fonctionnalités prises en charge peuvent varier. La Look Watch nécessite l'utilisation des accessoires de charge fournis. Les accessoires fournis avec votre Look Watch contiennent un câble micro-USB, une station d'accueil et un adaptateur mural.

Consignes de sécurité importantes

Veillez noter que le non-respect des instructions suivantes peut entraîner des dysfonctionnements de la montre ou être dangereux pour l'utilisateur. Par conséquent, cela peut également réduire les avantages de la garantie.

1.a Générales

N'utilisez pas et ne rangez pas la montre dans des endroits poussiéreux et sales car les composants pourraient être endommagés. Ne stockez pas la Look Watch dans des endroits chauds, car une température élevée peut provoquer un dysfonctionnement des composants, réduire le cycle de vie de l'appareil et endommager les batteries Li-Ion Polymer internes. Ne rangez pas la montre dans des zones froides. Lorsque la Look Watch chauffe à température ambiante, de l'humidité peut se former à l'intérieur de la montre, ce qui peut endommager les circuits électroniques. N'essayez pas d'ouvrir le boîtier de la Look Watch. Cela pourrait endommager votre montre et annulera la garantie. Ne laissez pas tomber la montre ou n'appliquez pas de poids lourd dessus. N'utilisez pas d'objets pointus sur l'écran tactile de la montre ou n'appliquez pas de force excessive dessus. N'utilisez pas de produits chimiques ou de solvants pour nettoyer la Look Watch. Ne pliez pas le joint entre le bracelet et la montre avec force car cela pourrait affecter les performances de l'antenne intégrée. Lorsque vous utilisez un casque Bluetooth avec la Look Watch, tenez compte du volume qui peut endommager l'ouïe. La Look Watch est dotée d'une fonction de détection des chutes, et elle est uniquement destinée à être portée au poignet pendant la chute. Le fait de laisser la montre au sol pour tester la fonction de détection de chute peut endommager la montre. La garantie ne couvre pas les dommages causés par l'impact.

1.b Exposition aux liquides

La montre Look Watch a une résistance à l'eau IP67 selon la norme IEC 60529, mais elle n'est pas étanche à 100%. La montre ne doit pas être mise dans l'eau. Ne portez pas la Look Watch pour la baignade, la douche, le bain, le surf, le jet ski, le ski nautique, le sauna et hammam. Il est permis d'utiliser la Look Watch pendant les exercices sous la pluie ou les activités nautiques. Si de l'eau éclabousse la montre, essuyez-la avec un tissu non abrasif. Éviter le contact avec le savon, les détergents, les acides, les parfums, la crème solaire, les lotions, l'huile, l'eau salée, l'eau de piscine, répulsif, décapant et liquide chimique en général. Faire tomber la Look Watch avec des impacts affectera le niveau de résistance à l'eau de la montre.

1.c Manipulation correcte

N'appliquez jamais de pression excessive sur les boutons de la montre. Ne forcez pas la connexion de charge ou dans un port pendant le chargement. Si le connecteur et le port ne se connectent pas facilement, vérifiez et assurez-vous qu'ils sont connectés ou correspondent au port et que vous avez correctement positionné le connecteur. Inspectez régulièrement le câble et le connecteur du chargeur et de l'adaptateur USB. Une traction excessive du câble, de la prise et du connecteur pendant les activités de charge peut entraîner la rupture du câble et du connecteur. N'utilisez pas le câble si vous trouvez une rupture dans les joints de câble. La décoloration des accessoires après usage régulier est normale. Si vos accessoires chauffent pendant l'utilisation ou si la montre ne se charge pas, débranchez le câble de l'adaptateur USB et nettoyez-le avec un chiffon sec et non abrasif. N'utilisez pas de liquides ou produits de nettoyage pour nettoyer les accessoires.

1.d Santé et sécurité

La Look Watch n'est pas un appareil médical. Elle n'est pas destinée à être utilisée lorsque la défaillance de l'appareil peut entraîner la mort, des blessures corporelles ou des dommages matériels. La Look Watch, et les applications ne sont pas conçus et destinés à un usage médical pour un diagnostic, de la prévention, un traitement et la guérison des maladies. Look Watch est un appareil Android OS. Les utilisateurs peuvent télécharger des applications de fitness et d'exercice à utiliser. Consultez toujours votre médecin avant d'utiliser la Look Watch pour vos activités physiques. Vous assumez tous les risques inhérents associés, y compris toute blessure pouvant résulter de vos activités d'exercice. Faites toujours attention en faisant de l'exercice, et arrêtez immédiatement si vous ressentez une douleur, des étourdissements, une fatigue ou un essoufflement. Certaines personnes sont plus susceptibles d'éprouver une irritation du dispositif en raison d'allergies ou d'autres sensibilités cutanées. Si vous avez des problèmes cutanés, faites particulièrement attention lorsque vous portez la montre. Retirez la montre périodiquement pour permettre à votre peau de respirer. Ne portez pas la montre trop serrée. Gardez les bracelets de la montre propres et secs. Si vous éprouvez des démangeaisons, des rougeurs et de l'inconfort sur votre peau en portant la Look Watch, veuillez retirer la montre Look et consulter votre médecin avant de l'utiliser à nouveau. Gardez la montre et ses accessoires hors de portée des enfants en bas âge.

N'utilisez pas votre montre lorsque vous conduisez. Les signaux de radiofréquence peuvent affecter les systèmes électroniques mal installés dans les véhicules à moteur. L'utilisation de la Look Watch pendant la conduite peut également causer des accidents pouvant entraîner des blessures corporelles, des pertes matérielles ou même la mort.

1.e Sécurité électrique

Votre montre est fournie avec les accessoires de chargement suivants : câble micro-USB, socle de chargement, prise murale. N'utilisez que des accessoires de chargement approuvés par Laipac Technology. L'utilisation d'accessoires non approuvés par Laipac avec votre montre peut annuler la garantie standard de votre Look Watch et entraîner un dysfonctionnement de l'appareil. Il est essentiel de conserver la montre et les accessoires dans un endroit bien ventilé lors de la charge. Lorsqu'un chargeur n'est pas utilisé, débranchez-le de la source d'alimentation. Avant d'utiliser toute source d'alimentation, vérifiez la tension primaire suivant la tension imprimée sur l'alimentation. Ne surchargez pas la prise de courant, les rallonges ou les prises de courant, car cela pourrait entraîner un risque d'incendie ou de choc électrique. Pour réduire le risque d'endommager le cordon ou le chargeur mural, tirez sur le chargeur mural plutôt que sur le cordon lorsque vous débranchez l'accessoire de chargement de la prise de courant ou de la

prise murale. L'utilisation d'accessoires de recharge Look Watch endommagés ou la charge en présence d'humidité peut provoquer un incendie, une électrocution, des blessures ou des dommages à l'utilisateur ou à la montre ou à ses propriétés. Assurez-vous que la montre et les accessoires de chargement sont secs avant de la recharger. Lorsque vous utilisez les accessoires de chargement pour charger la montre Look, assurez-vous que la prise USB est complètement insérée dans l'adaptateur avant de brancher l'adaptateur sur une prise de courant. Plusieurs recommandations sont comme ci-dessous:

- ❑ Ne portez pas la montre lorsqu'elle est en charge. Évitez tout contact prolongé avec la peau lorsque celle-ci est connectée ou lorsque le câble est branché à une source d'alimentation, car cela peut provoquer une gêne ou des blessures.
- ❑ N'exposez pas le chargeur à l'eau pendant son utilisation. Cela peut entraîner une défaillance du chargeur et de la montre.
- ❑ Insérez délicatement le câble USB dans la base du chargeur, en forçant le câble dans la mauvaise direction, cela endommagera le chargeur.
- ❑ Il est recommandé de recharger la montre dans un endroit frais. Ne chargez pas la montre avec la lumière directe du soleil sur la montre pour éviter la surchauffe de la montre.
- ❑ Lorsque la montre est placée sur le chargeur et que le chargeur est branché sur un mur, un écran de chargement s'affiche sur le cadran de la montre, indiquant le % de charge de la batterie. Retirez la montre du chargeur une fois qu'elle est complètement chargée.
- ❑ Si la montre ne se recharge pas, vérifiez que la prise murale est complètement insérée dans la prise murale, que le câble USB est fermement attaché au chargeur et que la montre est correctement placée sur le chargeur. Si la montre ne se charge toujours pas, assurez-vous qu'il n'y a pas de saleté ou d'obstruction sur les broches du chargeur et assurez-vous que l'arrière de la montre est propre.
- ❑ Le chargeur contient un petit aimant pour assurer l'alignement et la fixation de la montre au chargeur. S'il vous plaît garder le chargeur loin du métal.
- ❑ L'utilisation de la Look Watch dans des endroits où l'air contient des niveaux élevés de produits chimiques inflammables, de vapeurs, de poussières ou de particules métalliques peut être dangereuse.

Votre montre contient une batterie Li-Ion Polymer intégrée qui n'est pas remplaçable ou amovible par les utilisateurs. N'essayez pas de remplacer ou de retirer la batterie Look Watch par vous-même. Toute altération et toute tentative d'ouverture de la montre annuleront la garantie et pourraient entraîner un risque pour la sécurité. Pour toute manipulation de la batterie, veuillez contacter Laipac Technology Inc.



Votre montre, ses accessoires et sa batterie contiennent des substances dangereuses. Ils ne doivent pas être éliminés avec les déchets ménagers. Ils sont soumis à des réglementations locales spécifiques à collecter séparément. L'élimination et le recyclage corrects du matériel contribueront à améliorer notre environnement de vie. Pour plus d'informations sur l'élimination des équipements électriques et électroniques usagés et des batteries, veuillez contacter votre mairie.

1.f Bon entretien et utilisation

Nettoyez fréquemment la Look Watch avec un chiffon sec et nettoyez l'eau salée, la sueur, le parfum, les lotions, la crème solaire, l'huile, l'eau de piscine, la saleté, les taches de nourriture, le savon, l'acide et tous les liquides. N'utilisez pas de produits d'entretien. Ne nettoyez pas la montre pendant le chargement et ne séchez pas la montre avec un sèche-cheveux.

Éteignez votre Look Watch dans les avions et dans des endroits comme les hôpitaux et stations-service, où l'utilisation d'un téléphone cellulaire est interdite. La Look Watch peut interférer avec les stimulateurs cardiaques, les défibrillateurs et autres appareils médicaux. Consultez votre médecin et les fabricants d'appareils médicaux pour votre utilisation de Look Watch lors de l'utilisation des dispositifs médicaux. Arrêtez immédiatement d'utiliser la montre si vous avez des doutes sur les interférences avec votre stimulateur cardiaque, votre défibrillateur ou tout autre appareil médical. Vous pouvez également désactiver les fonctions sans fil sur la Look Watch en procédant comme suit:

- Appuyez sur le bouton power pour allumer la montre
- Balayez vers le bas, puis balayez vers la droite ou vers la gauche jusqu'à l'écran de configuration
- Touchez les icônes WiFi, BT, Téléphone portable et GPS pour les désactiver

La température de fonctionnement standard de la Look Watch est de 0 à 45 ° C (32 à 113 ° F).

La montre peut être endommagée et la durée de vie de la batterie réduite si elle est stockée ou utilisée en dehors de ces plages de température. Si la température de la Look Watch dépasse les températures de fonctionnement moyennes, l'affichage peut diminuer et la charge sera lente car le circuit électronique essaie de réguler ses fonctions. Le contact avec des surfaces chaudes pendant de longues périodes peut également provoquer une gêne ou des blessures. La montre et ses accessoires deviennent chauds lorsqu'ils sont branchés sur une source d'alimentation. Pendant que la montre est en charge, ne dormez pas dessus et ne la placez pas sous une couverture, un oreiller ou votre corps. Portez une attention supplémentaire si vous avez des problèmes de peau avec de chaudes températures ; Retirez la montre si elle est inconfortable.

1.g Sécurité radio

La Look Watch est un émetteur-récepteur radio qui utilise des antennes internes pour envoyer et recevoir des radiofréquences (RF) pour les communications de données et vocales. La Look Watch répond aux exigences américaines, canadiennes et européennes en matière d'exposition aux ondes radio. Elle est conçue et fabriquée pour ne pas dépasser les limites d'émission d'énergie RF établies par la Commission fédérale des communications (FCC), Industrie Canada (IC) et le Règlement de l'Union européenne (CE) pour assurer la sécurité de toutes les personnes, peu importe l'âge ou la condition.

1.h Propriété intellectuelle

Toute Propriété Intellectuelle, telle que définie ci-dessous, détenue par ou qui est par ailleurs la propriété de Laipac ou de ses fournisseurs respectifs relative aux dispositifs Laipac, y compris mais sans s'y limiter, les accessoires, parties ou logiciels y afférents (le "dispositif mobile"), est la propriété de Laipac et protégé par les lois fédérales, les lois des États et les dispositions des traités internationaux. La propriété intellectuelle comprend, mais sans s'y limiter, les inventions (brevetables ou non brevetables), les brevets, les secrets commerciaux, les droits d'auteur, les logiciels, les programmes informatiques, la documentation connexe et d'autres œuvres d'auteurs. Vous ne pouvez pas enfreindre ou autrement violer les droits garantis par la propriété intellectuelle. De plus, vous convenez que vous ne modifierez pas, ne

préparer pas, ne préparer pas d'œuvres dérivées, ne procédez pas à une ingénierie inverse, ne décompilerez pas, ne désassemblerez pas ou ne tenterez pas autrement de créer du code source à partir du logiciel. Aucun titre ou propriété de la propriété intellectuelle ne vous est transféré. Tous les droits applicables de la Propriété Intellectuelle restent à Laipac et à ses fournisseurs.

1.i Logiciel Open Source

Certains composants logiciels de ce produit intègrent le code source couvert par GNU General Public License (GPL), GNU Lesser General Public License (LGPL), Open SSL License, BSD License et d'autres licences open source.

2. GUIDE DE DÉMARRAGE RAPIDE

Félicitations pour votre achat de la Look Watch. Vous avez fait un excellent choix.

Chaque montre est construite avec la plus haute qualité pour répondre au plus grand nombre d'exigences. Les matériaux utilisés dans les Look Watch les rendent exceptionnellement robustes et fiables dans les conditions les plus rigoureuses.

Ce document est un guide de démarrage rapide fournissant des informations sur vos fonctions de base de Look Watch uniquement. Pour plus d'informations et de contenus exclusifs, veuillez aller à www.laipac.com.

COMPATIBILITÉ

Pour faire fonctionner votre fonction Look Watch, vous devez disposer d'un téléphone sous Android 5.0+ ou iOS 8.0+. Les fonctionnalités prises en charge peuvent varier entre les plates-formes.

ACCESSOIRES FOURNIS AVEC LA LOOK WATCH

Votre montre devrait être équipée d'une station d'accueil, d'un tournevis pour le couvercle de la carte SIM, d'un câble micro USB* et d'une prise murale*.

*La conception ou la disponibilité peuvent varier selon les régions.



Adaptateur à clapet



Micro câble USB*

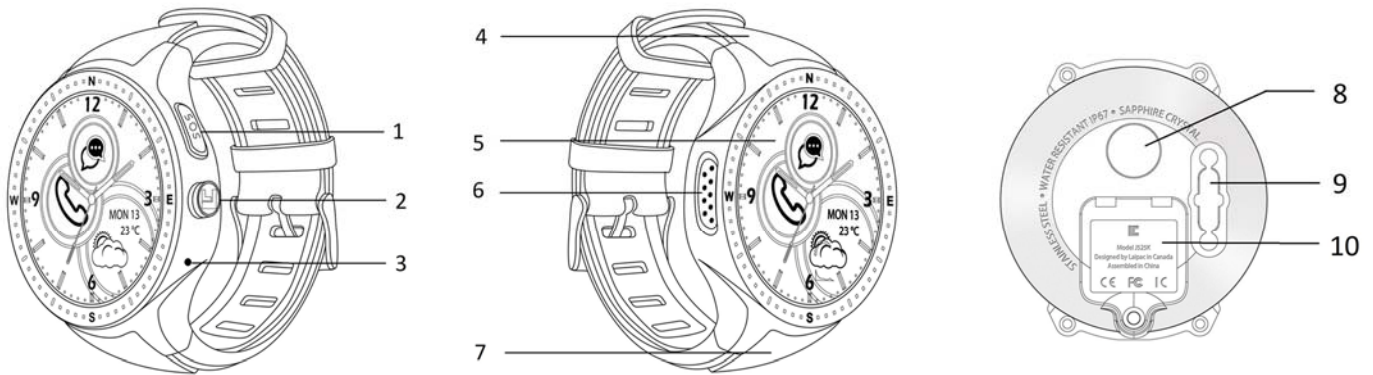


Tournevis*



Prise murale*

Vue avant et arrière de la Look Watch



1. **Touche SOS:** Appuyez dessus pour appeler le numéro d'urgence préprogrammé et envoyer un SMS
2. **Bouton d'alimentation/retour:** Appuyez et maintenez pour allumer l'appareil allumé ou éteint. Appuyez : pour mettre l'appareil sous tension. Appuyez dessus pour revenir à l'écran précédent.
3. **Microphone:** Détecte la commande vocale et effectue des appels en tant que téléphone cellulaire
4. **Antennes WiFi, Bluetooth et GPS:** Incorporé à l'intérieur du bracelet.
5. **Écran tactile:** Appuyez et maintenez une seconde pour modifier la conception du cadran, appuyez dessus pour ouvrir une application ou entrez un caractère à l'aide du clavier.
6. **Haut-parleur:** Écouter de la musique et répondre aux appels téléphoniques en tant que haut-parleur
7. **Antenne de téléphone cellulaire:** Incorporé à l'intérieur du bracelet
8. **Cardiofréquencemètre:** Mesurer votre pouls au poignet à l'aide de l'application santé
9. **Contacts magnétiques à charge:** Placer avec l'adaptateur de charge à clapet pour la recharge de la batterie
10. **Emplacement pour carte SIM:** Ouvrir avec le tournevis pour insérer la carte SIM. L'utilisation d'une carte SIM avec voix et plan de données est recommandée.

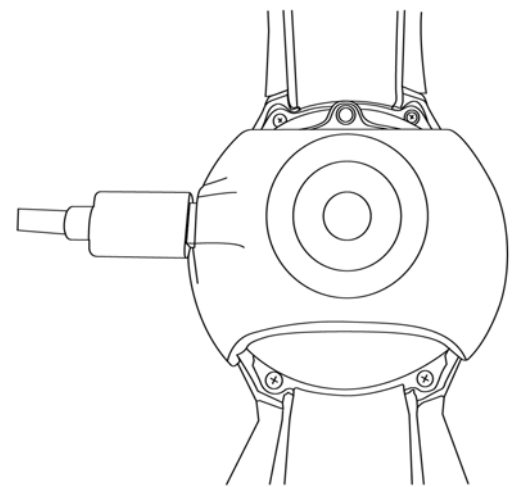
Préparer et charger votre appareil avant utilisation.

Chargez la batterie avant de l'utiliser pour la première fois ou si elle reste inutilisée pendant de longues périodes.

Mise en garde : Utilisez uniquement des chargeurs et des batteries approuvées par Laipac. Les accessoires Laipac sont conçus pour votre appareil afin de maximiser la durée de vie de la batterie. L'utilisation d'autres accessoires peut annuler votre garantie et causer des dommages.

1. Connectez le câble micro-USB à la prise murale, puis connectez l'autre extrémité du câble USB à l'adaptateur à clapet.
2. Branchez la tête du chargeur USB dans une prise électrique.
3. Placez la montre sur l'adaptateur à clapet pour qu'elle corresponde aux contacts de charge.

Lorsque vous connectez la montre pour la charger et que l'appareil est éteint, attendez 10 secondes, puis appuyez une fois sur le bouton marche / arrêt pour vérifier le niveau de la batterie sur l'écran.



Conseils de charge de la batterie et précautions

- Si la batterie est complètement déchargée, la Look Watch ne sera pas allumée dans les 10 secondes après avoir été connectée au chargeur. Laissez une batterie déchargée se charger pendant quelques minutes avant d'appuyer sur le bouton Marche / Arrière pour vérifier le niveau de la batterie ou maintenez la touche enfoncée pour allumer la montre. Si vous utilisez plusieurs applications à la fois, la batterie se déchargera rapidement. Pour éviter de perdre de la puissance pendant un transfert de données, utilisez toujours les applications après avoir chargé complètement la batterie.
- L'utilisation d'une source d'alimentation USB de l'ordinateur peut entraîner une vitesse de charge plus lente en raison d'un circuit de courant plus faible. La même chose se produit si vous chargez la montre avec plusieurs chargeurs connectés à la même prise électrique.
- La montre peut être utilisée pendant le chargement, mais le chargement complet de la batterie peut prendre plus de temps. Si la Look Watch est connectée à une source d'alimentation instable, l'affichage peut ne pas fonctionner, si cela se produit, déconnectez la montre et utilisez une source d'alimentation plus stable.

Porter la montre Look Watch

Ouvrir la boucle et placer le bracelet sur votre poignet. Placez la sangle sur votre poignet, insérez la goupille dans un trou et fixez la boucle pour la fermer. Le bracelet n'est pas échangeable en raison des antennes intégrées à l'intérieur.

Mode autonome

Vous n'avez pas besoin d'associer la Look Watch à un téléphone. Vous pouvez insérer la carte SIM du fournisseur de téléphone portable (Nano size) pour émettre et recevoir des appels et des messages avec un plan vocal et accéder à Internet avec un plan de données.

Connectez la Look Watch à un smartphone

Pour connecter votre montre Look à un smartphone, accédez à Paramètres>Connexion, puis sélectionnez Bluetooth et activez Bluetooth pour rechercher votre téléphone. Activez également le Bluetooth de votre téléphone et recherchez Look pour l'association. Une fois l'appariement terminé, vous pouvez synchroniser votre contact de votre téléphone avec votre montre Look. Il est compatible avec les appareils smartphone fonctionnant sous Android 5.0+ ou iOS8.0+. Les méthodes de connexion et les captures d'écran peuvent varier en fonction de la version de votre téléphone et de votre logiciel, également selon votre région, votre fournisseur de services et le fabricant de votre appareil.

Appel Bluetooth

Vous pouvez également coupler votre montre Look avec votre smartphone via Bluetooth avec l'application Bluetooth Call par défaut pour passer et recevoir des appels téléphoniques à partir de votre téléphone.

Écran et cadrans de la montre

Vous pouvez afficher l'heure actuelle et vérifier l'autonomie de la batterie, la date, les appels manqués et les messages. Aussi, le statut de l'application Guardian Angel Connect. Appuyez sur le bouton Power/Retour pour ouvrir l'écran de la montre lorsque l'écran de la montre est éteint. Touchez l'écran tactile et maintenez-le enfoncé, puis le cadran de la montre se rétrécit et devient plus petit. Vous pouvez ensuite balayer vers la gauche et la droite pour voir les cadrans disponibles. Appuyez sur le cadran pour le sélectionner. Pour régler l'écran de veille pendant plus de 15 secondes, accédez aux Paramètres dans le menu de l'application et sélectionnez Affichage. Il vous permettra de sélectionner la durée de l'écran de surveillance de 15 secondes à 30 minutes. La batterie consommera plus rapidement lorsque l'écran de la montre est réglé sur ON pour une période prolongée. L'option d'activer l'écran de montre en inclinant le poignet est disponible via Gesture dans les Réglages.

3. GARANTIE INTERNATIONALE LIMITÉE

VEUILLEZ LIRE ATTENTIVEMENT CE DOCUMENT EN ENTIER. IL CONTIENT DES RENSEIGNEMENTS IMPORTANTS CONCERNANT VOS DROITS ET OBLIGATIONS

Sous réserve des exclusions ci-dessous, Laipac Technology Inc. garantit au premier acheteur de la Look Watch d'être exempt de défauts de matériaux et de qualité dans le cadre d'une utilisation normale par le consommateur pendant la période décrite ci-dessous. Le premier acheteur convient qu'il n'y a pas eu d'affirmations de fait, de promesses ou de déclarations faites par Laipac concernant les Produits et faisant partie de la base de la négociation. Les descriptions des Produits couverts par cette Garantie Limitée ne sont données qu'à titre indicatif, et il n'y a aucune garantie explicite ou implicite que les Produits sont conformes à la description.

CETTE GARANTIE LIMITÉE EST UN SEUL RECOURS EXCLUSIF DES CONSOMMATEURS et s'applique comme suit aux nouveaux produits Laipac achetés par les consommateurs dans tous les pays ou territoires où un distributeur autorisé Laipac a été désigné et qui sont accompagnés de cette garantie limitée.

Durée de la couverture:

Un (1) an à compter de la date d'achat par l'acheteur du produit.

Exclusions

L'usure normale: L'entretien périodique, la réparation et le remplacement de produits consommables à durée de vie limitée (p. Ex. Bracelet, finis de décalcomanies, piles et autres accessoires) en raison de l'usure normale sont exclus de la garantie.

Abus et mésusage : Défauts ou dommages résultant de :

- Mauvais fonctionnement, entreposage, mauvaise utilisation ou abus, accident ou négligence, y compris mais sans s'y limiter, des dommages physiques (fissures, égratignures, etc.) à la surface du produit ;
- Contact avec du liquide, de l'eau, de la pluie, une humidité extrême ou une forte transpiration, du sable, de la saleté ou similaire, une chaleur extrême ou de la nourriture ;
- L'utilisation des Produits à des fins commerciales ou en soumettant les Produits à une utilisation ou à des conditions anormales ; où
- Autres actes qui ne sont pas la faute ou la négligence de LaipacTechnology Inc. Sont exclus de la couverture.

Utilisation de produits Laipac non marqués ou non certifiés: Les défauts ou dommages résultant de l'utilisation de produits, d'accessoires, de logiciels, de chargeurs ou d'autres équipements périphériques de marque ou non certifiés Laipac sont exclus de la garantie.

Utiliser avec un équipement d'origine OEM : La Look Watch est uniquement garantie pour fonctionner avec les téléphones portables et les accessoires fournis par le fabricant d'équipement d'origine (OEM) tels qu'ils ont été fabriqués à l'origine. Look Watch n'est expressément pas garantie pour une utilisation avec des appareils tiers altérés ou modifiés lorsque de telles modifications ont été effectuées sans l'approbation du fabricant ou de ses représentants autorisés.

Service non autorisé ou modification des produits Laipac : Les défauts ou dommages résultant de l'entretien, des tests, du réglage, de l'installation, de la maintenance, de la modification ou de la modification par une personne autre que l'ingénieur Laipac ou ses centres de service autorisés sont exclus de la garantie.

Que fera Laipac ?

Les consommateurs qui croient que leur montre est défectueuse doivent contacter les centres de service autorisés Laipac indiqués ci-dessous. *Laipac* jugera les produits défectueux à sa seule discrétion, après avoir vérifié auprès de *Laipac* ou de ses centres de service agréés. Si un produit s'avère défectueux aux termes de la présente garantie limitée, Laipac réparera ou remplacera, à son gré, tout produit non conforme à la présente garantie. Ce sera le seul recours du consommateur. *Laipac* se réserve le droit d'utiliser des produits, accessoires ou pièces reconditionnés / remis à neuf, d'occasion ou fonctionnellement équivalents dans le cadre du processus de garantie. Aucun matériel, données, logiciels ou applications ajoutés à votre produit, y compris, mais sans s'y limiter, les coordonnées personnelles. Les numéros abrégés seront réinstallés. Pour éviter de perdre du matériel, données, logiciels et applications, veuillez créer une sauvegarde ou supprimer le matériel avant de demander le service.

Comment obtenir le service de garantie ou d'autres informations

Pour obtenir des performances dans le cadre de cette garantie limitée, vous devez contacter l'un des centres de service à la clientèle de *Laipac* :

Détails de contact

Laipac Technology Inc.
20 Mural St. Unit 5 Richmond Hill
Ontario Canada L4B 1K3
Tel: (905) 762-1228
Email: info@laipac.com

Vous recevrez des instructions sur la façon d'expédier les produits à un centre de service à la clientèle autorisé Laipac. Vous serez responsable de tous les coûts associés à l'expédition des produits au centre de service agréé Laipac.

Pour obtenir un service, vous devez inclure :

- Un formulaire d'autorisation de retour (RMA) obtenu auprès d'un centre de service à la clientèle autorisé Laipac ;
- Une copie de votre reçu, acte de vente ou autre preuve d'achat comparable ;
- Votre montre Look Watch

Aucun retour ne sera accepté sans un formulaire RMA dûment rempli.

Produits modifiés ou mis à jour : Produits avec :

- Les numéros de série ou les étiquettes avec date qui ont été enlevés, modifiés ou oblitérés ;
- Des joints brisés ou des sceaux qui montrent des signes d'altération,
- Numéros de série des cartes incompatibles,
- Boîtiers ou pièces non conformes ou non Look Watch ; où
- Toute autre modification non approuvée par Laipac est exclue de la couverture.

Dispositifs de communication : Les défauts, les dommages ou la défaillance des Produits dus à un service de communication, à un appareil ou à un signal que vous pouvez souscrire ou utiliser avec les Produits sont exclus de la couverture.

Qui est couvert ?

Cette garantie limitée s'applique uniquement au premier acheteur consommateur et n'est pas transférable.

Quelles autres limites y a-t-il ?

LA RÉPARATION OU LE REMPLACEMENT, CONFORMÉMENT À LA PRÉSENTE GARANTIE LIMITÉE, EST LE RECOURS EXCLUSIF DU CONSOMMATEUR. LAIPAC NE DONNE AUCUNE AUTRE GARANTIE D'AUCUNE SORTE, EXPRESSE OU IMPLICITE. CETTE GARANTIE LIMITÉE EXCLUT TOUTES LES GARANTIES IMPLICITES, Y COMPRIS LES GARANTIES IMPLICITES DE QUALITÉ MARCHANDE ET D'ADAPTATION À UN USAGE PARTICULIER, ET CES GARANTIES IMPLICITES, QUI DÉPASSENT L'OBLIGATION DÉCRIT CI-DESSUS, SONT EXCLUES PAR LAIPAC ET EXCLUES DE CETTE GARANTIE LIMITÉE EXPRESSE. IL N'EXISTE AUCUNE AUTRE GARANTIE POUR CE PRODUIT QUI S'ÉTEND AU-DELÀ DE LA DESCRIPTION FIGURANT SUR LE PRÉSENT DOCUMENT. AUCUNE ACTION, QUELLE QU'EN SOIT LA FORME, DÉCOULANT DU PRÉSENT CONTRAT, Y COMPRIS, MAIS SANS S'Y LIMITER, LA GARANTIE OU LE CONTRAT DE VENTE, PEUT ÊTRE INTENTÉE PLUS D'UN (1) AN APRÈS QUE LA CAUSE D'ACTION SOIT ACCOMPAGNÉE.

IL EST COMPRIS ET CONVENU QUE LAIPAC NE POURRA EN AUCUN CAS ÊTRE TENUE RESPONSABLE, MÊME EN CONTRAT, EN DROIT (Y COMPRIS, MAIS SANS S'Y LIMITER, LA NÉGLIGENCE) OU EN VERTU D'UNE GARANTIE, POUR: (1) LES DOMMAGES SUPÉRIEURS AU PRIX D'ACHAT PAYÉ POUR LE PRODUIT; (2) TOUT DOMMAGE INDIRECT, ACCIDENTEL, SPÉCIAL, CONSÉCUTIF OU TOUT AUTRE TYPE (Y COMPRIS, SANS S'Y LIMITER, LES FRAIS D'AVOCATS ET LES FRAIS) D'AUCUNE SORTE; (3) TOUTE PERTE DE REVENUS OU DE PROFITS; (4) TOUTE PERTE D'ENTREPRISE, OU BONNE VOLONTÉ; (5) TOUTE PERTE D'INFORMATIONS, DE DONNÉES, DE LOGICIELS, D'APPLICATIONS; OU (6) TOUTE AUTRE PERTE FINANCIÈRE DÉCOULANT DE OU EN RAPPORT AVEC LA CAPACITÉ OU L'IMPOSSIBILITÉ D'UTILISER LES PRODUITS, DANS LA MESURE OU LES DOMMAGES PEUVENT ÊTRE EXCLUS DE LA LOI. LE PRIX PAYÉ POUR LE PRODUIT EST UNE CONSIDÉRATION QUI LIMITE LA RESPONSABILITÉ DE LAIPAC AU REMBOURSEMENT AU MAXIMUM DU PRIX D'ACHAT PAYÉ PAR LE CONSOMMATEUR.

LE CONSOMMATEUR ASSUME TOUS LES RISQUES ET RESPONSABILITÉS POUR PERTE, DOMMAGES OU BLESSURES À TOUTE PERSONNE OU PROPRIÉTÉ DÉCOULANT DE L'UTILISATION OU DE LA POSSESSION DE TOUT PRODUIT LAIPAC COUVERT PAR LA PRÉSENTE GARANTIE LIMITÉE QUI N'EST PAS LA DÉFAILLANCE OU LA NÉGLIGENCE DE LAIPAC.

Certains états, pays et juridictions n'autorisent pas la limitation ou l'exclusion de la responsabilité, ni les dommages accessoires ou indirects, ni la limitation de la durée d'une garantie implicite, de sorte que les limitations ou exclusions ci-dessus peuvent ne pas s'appliquer à vous. Cette garantie vous donne des droits légaux spécifiques, et vous pouvez également avoir d'autres droits qui varient d'un état à l'autre ou d'une juridiction à l'autre. Le consommateur reconnaît et accepte avoir lu ou choisi volontairement de ne pas lire, après avoir eu la possibilité de le faire, le mode d'emploi de ce produit disponible sur www.laipac.com ou fourni avec le produit soit en format papier ou PDF avant utilisation. Le consommateur reconnaît et convient en outre qu'il a lue, ou a volontairement choisi de ne pas lire, après avoir eu la possibilité de le faire, la garantie limitée pour ce produit. Le consommateur reconnaît et accepte toutes les conditions énoncées dans cette garantie limitée. Le premier acheteur consommateur reconnaît et accepte qu'il n'est pas considéré comme commerçant. Les lois du Canada, des États-Unis et d'autres pays conservent pour *Laipac* certains droits exclusifs sur les logiciels *Laipac* protégés par le droit d'auteur, tels que les droits exclusifs de reproduction et de distribution des copies du logiciel *Laipac*. Le logiciel *Laipac* ne peut être copié, utilisé et redistribué qu'avec les Produits associés à ce logiciel *Laipac*. Aucune autre utilisation, y compris et sans limitation, le désassemblage de tels logiciels *Laipac* ou l'exercice des droits exclusifs réservés à *Laipac*, n'est autorisée.

Assurances de droit des exportations

Ce produit est contrôlé par les règlements d'exportation du Canada et des États-Unis d'Amérique. Les gouvernements du Canada et des États-Unis d'Amérique peuvent restreindre l'exportation ou la réexportation de ce produit vers des destinations spécifiques. Pour plus d'information, contactez le ministère des Affaires étrangères du Canada et les États-Unis. Département du Commerce.

Marques et brevets

Laipac et la Look Watch sont des marques déposées de *Laipac* et ne peuvent être utilisées sans autorisation. Les logos *Laipac* et Look Watch sont enregistrés aux États-Unis. Le bureau des brevets et des marques et, à l'échelle mondiale, avec l'Organisation mondiale de la propriété intellectuelle selon le protocole de Madrid et la propriété de *Laipac Technology, Inc.*, et toute utilisation de ces marques par *Laipac Technology* est sous licence. Les noms des autres entreprises, produits et services sont la propriété de leurs propriétaires respectifs. *Laipac* réserve ses droits sur l'ensemble de ses brevets en instance dans le monde entier.

Divisibilité

Si une clause ou une disposition de cette garantie limitée est annulée parce qu'une disposition ou une clause, ou une application de celle-ci, est invalide, et une telle invalidité changerait ou modifierait les obligations des parties comme envisagé à la lumière de la validité supposée de cette disposition ou clause ou son application, le reste de la présente garantie limitée ne sera pas affecté.

Merci d'avoir choisi Look Watch!

Look Watch

Guía de Inicio Rápido
Información de Seguridad y Garantía

TABLA DE CONTENIDO

1. INFORMACIÓN DE SEGURIDAD
2. GUÍA DE INICIO RÁPIDO
3. GARANTÍA LIMITADA INTERNACIONAL



Look



LAIPAC

www.laipac.com

1. INFORMACIÓN DE SEGURIDAD

Por favor, procure leer la siguiente información antes de utilizar el Look Watch y siga las instrucciones de seguridad en su uso cotidiano. Guarde este folleto en un lugar seguro para futuras referencias.

El **Look Watch** es un reloj inteligente, autónomo y de alto rendimiento con conectividad para teléfonos celulares (3G), Wi-Fi, Bluetooth, GPS, sensor de frecuencia cardíaca y sensor de movimiento. No es apto para ser utilizado como un dispositivo médico, ni tampoco es un rastreador de actividad física. El Look Watch puede albergar una tarjeta Nano SIM de su proveedor de telefonía celular preferido. Se incluye un destornillador especial para abrir la tapa de la tarjeta SIM en la parte inferior del reloj. También se puede vincular con un teléfono con Android 5.0+ o iOS8.0+. Las funciones compatibles pueden variar. El Look Watch requiere el uso de los accesorios de carga provistos con él. Los accesorios suministrados con su Look Watch incluyen un cable micro USB, soporte cargador y un adaptador de pared.

Precauciones de seguridad importantes

Tenga en cuenta que el incumplimiento de las siguientes instrucciones puede causar un mal funcionamiento del reloj o revestir peligro para el usuario, además de reducir el beneficio de la garantía.

1.a General

No use ni guarde el Look Watch en lugares con exceso de polvo o sucios, ya que los componentes pueden dañarse. No guarde el Look Watch en lugares demasiado calurosos, porque una temperatura alta puede provocar un mal funcionamiento de los componentes, reducir el ciclo de vida del dispositivo y dañar las baterías internas de polímero de iones de litio. No guarde el Look Watch en áreas frías, ya que cuando el Look Watch retorne a temperatura ambiente, se puede formar humedad en su interior, lo que puede dañar los circuitos electrónicos. No intente abrir la carcasa del Look Watch, ya que puede dañar el dispositivo, lo cual anularía la garantía. No deje caer el Look Watch ni aplique demasiado peso sobre él. No use objetos afilados en la pantalla táctil del reloj ni aplique fuerza excesiva sobre él. No use productos químicos o solventes de limpieza para limpiar el Look Watch. No doble la unión entre la pulsera y el reloj con mucha fuerza, ya que puede afectar el rendimiento de la antena incorporada. Cuando use auriculares Bluetooth con su Look Watch, tenga en cuenta que el volumen muy alto puede dañar la audición. El Look Watch tiene una función de detección de caídas, y siempre debe llevarlo en la muñeca al momento de una caída. Botar el reloj al suelo para probar la función de detección de caídas puede dañar el reloj. La garantía no cubre daños causados por impacto.

1.b Exposición a Líquidos

El Look Watch tiene una clasificación de resistencia al agua de IP67 según el estándar IEC 60529, pero no es 100% resistente al agua. El Look Watch no debe sumergirse. No use el Look Watch para nadar, ducharse, surfear, practicar esquí acuático, motociclismo acuático, en saunas o salas de vapor. Se permite usar el Look Watch haciendo ejercicio con lluvia o actividades con botes. Si salpica agua en el Look Watch, límpielo con un paño no abrasivo. Evite el contacto con jabones, detergentes, ácidos, perfumes, protectores solares, lociones, aceites, agua salada, agua de piscina, repelentes, removedores de pintura y líquidos químicos en general. Dejar caer el Look Watch afectará el nivel de resistencia al agua del reloj.

1.c Manejo Correcto

Nunca aplique una presión excesiva a los botones del Look Watch. No fuerce la conexión de carga o en un puerto de conexión durante la carga. Si el conector y el puerto no se unen fácilmente, compruebe y

asegúrese de que pueden conectarse o coinciden con el puerto y de que ha colocado el conector correctamente. Inspeccione regularmente el cable y el conector del cargador y el adaptador USB. El tirón excesivo del cable, el enchufe y el conector durante las actividades de carga pueden provocar la rotura del cable y del conector. Si el cable se encuentra roto o pelado, no lo use. Es normal que se presente decoloración de los accesorios después del uso regular. Si los accesorios se calientan durante el uso o si el Look Watch no puede ser cargado, desconecte el cable del adaptador USB y límpielo con un paño seco y no abrasivo. No use líquidos o productos de limpieza cuando limpie los accesorios.

1.d Salud y Seguridad

El Look Watch **no es un dispositivo médico**. No use si una falla en el dispositivo podría causar la muerte, lesiones personales o otros daños. El Look Watch y sus aplicaciones no están diseñadas y destinadas para uso médico en el diagnóstico, prevención, tratamiento o curación de enfermedades. El Look Watch es un dispositivo con sistema operativo Android, y los usuarios pueden descargar aplicaciones de fitness y de ejercicios para usar. Siempre consulte a su médico respecto a sus actividades de ejercicio antes de usar el Look Watch. Usted asume todos los riesgos inherentes asociados, incluida cualquier lesión que pueda resultar de sus actividades de ejercicio. Tenga cuidado siempre mientras hace ejercicio e inmediatamente deténgase si siente dolor, mareo, cansancio o falta de aliento. Algunas personas son más propensas a experimentar irritación por el uso de dispositivos portátiles debido a alergias u otras sensibilidades de la piel. Si conoce las sensibilidades de su piel, tenga especial cuidado cuando use el Look Watch. Retire el Look Watch K periódicamente para permitir que su piel respire. No use el reloj demasiado apretado. Mantenga las bandas del Look Watch secas y limpias. Si experimenta picazón, enrojecimiento y malestar en la piel con el uso del Look Watch, quíteselo y consulte a su médico antes de volver a utilizarlo. Mantenga el Look Watch y sus accesorios fuera del alcance de los niños pequeños. No use su Look Watch mientras conduce. Las señales de radiofrecuencia pueden afectar los sistemas electrónicos instalados incorrectamente en los vehículos automotores. El uso del Look Watch al conducir vehículos también puede causar accidentes que pueden ocasionar lesiones personales, pérdidas materiales o incluso la muerte.

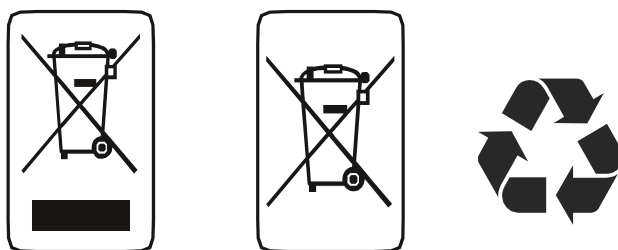
1.e Seguridad Eléctrica

Su Reloj cuenta con los siguientes accesorios de carga: cable micro USB, soporte cargador y enchufe de pared. Use sólo accesorios de carga aprobados por Laipac Technology. El uso de accesorios no aprobados por Laipac con su Look Watch puede anular la garantía estándar de su Look Watch y puede provocar el mal funcionamiento del dispositivo. Es esencial mantener el Look Watch y los accesorios en un área bien ventilada durante la carga. Cuando un cargador no está en uso, desconéctelo de la fuente de alimentación. Antes de usar cualquier fuente de alimentación, verifique el voltaje primario de acuerdo al voltaje impreso en la fuente de alimentación. No sobrecargue la toma de corriente, los cables de extensión o los receptáculos de seguridad, ya que esto podría provocar un incendio o una descarga eléctrica. Para reducir el riesgo de daños al cable o al cargador de pared, tire del cargador de pared en lugar del cable cuando desconecte el accesorio de carga de la toma de corriente o del receptáculo que esté usando. El uso de los accesorios de carga dañados del Look Watch, o cargarlo cuando hay humedad, puede provocar un incendio, una descarga eléctrica, lesiones o daños al usuario o al Look Watch o sus accesorios. Asegúrese de que el Look Watch y los accesorios de carga estén secos antes de cargar el dispositivo. Cuando utilice los accesorios de carga para cargar el Look Watch, asegúrese de que el enchufe USB esté completamente insertado en el adaptador antes de enchufar el adaptador a una toma de corriente.

Más recomendaciones son las siguientes:

- ❑ No use el Look Watch mientras se está cargando. Evite el contacto prolongado con la piel cuando está conectado o cuando el cable está enchufado a una fuente de alimentación, ya que puede causar incomodidad o lesiones.
- ❑ No exponga el cargador al agua mientras está en uso; esto puede causar fallas en el cargador y el reloj.
- ❑ Inserte con cuidado el cable USB en la base del cargador. Forzar el cable en la dirección incorrecta dañará el cargador.
- ❑ Se recomienda cargar el reloj en un lugar fresco. No cargue el reloj en un lugar con exposición solar directa para evitar el sobrecalentamiento del reloj.
- ❑ Cuando el reloj se coloca en el cargador y el cargador se conecta a una pared, se mostrará una pantalla de carga en el protector de pantalla del reloj, que indica el % de la carga en la batería. Retire el reloj del cargador una vez que esté completamente cargado.
- ❑ Si el reloj no puede cargarse, verifique que el enchufe de pared esté completamente insertado en la toma de corriente de la pared, que el cable USB esté firmemente conectado al cargador y que el reloj esté colocado correctamente en el cargador. Si aún no es posible cargar, asegúrese de que no haya suciedad u obstrucción en los pasadores del cargador y asegúrese de que la parte posterior del reloj esté limpia.
- ❑ El cargador contiene un pequeño imán para asegurar la alineación correcta y la fijación del reloj al cargador. Por favor, mantenga el cargador alejado del metal.
- ❑ El uso del Look Watch en lugares con altos niveles de químicos inflamables, vapores, polvo o partículas de metal podría ser peligroso.

Su Look Watch contiene una batería incorporada de polímero de iones de litio que los usuarios no pueden reemplazar ni quitar. No intente reemplazar o quitar la batería de Look Watch por usted mismo. Manipular e intentar abrir el reloj anulará la garantía y puede generar un peligro para su seguridad. Para cualquier manipulación de la batería, póngase en contacto con Laipac Technology Inc.



El Look Watch, sus accesorios y su batería contienen sustancias peligrosas. No deben desecharse junto a la basura de su casa. Según sus regulaciones locales específicas, deben ser desechados por separado. La correcta eliminación y reciclaje del material ayudará a mejorar nuestro medio ambiente. Para obtener más información sobre la eliminación de equipos electrónicos y baterías usados, comuníquese con la oficina local de su ciudad.

1.f Mantenimiento y uso Adecuados

Limpie el Look Watch con un paño seco con frecuencia para quitar el agua salada, sudor, perfume, lociones, bloqueador solar, aceite, agua de piscina, suciedad, manchas de alimentos, jabón, ácido, tinta y todos los líquidos que no sean agua fresca. Está prohibido el uso de productos de limpieza. No limpie el Look Watch mientras se está cargando, y no lo seque con un secador de pelo.

Apague su Look Watch en aviones y en lugares como hospitales y estaciones de servicio donde esté prohibido el uso de un teléfono celular. El Look Watch puede interferir con los marcapasos, desfibriladores y otros dispositivos médicos. Consulte a su médico y a los fabricantes de dispositivos médicos sobre el uso del Look Watch si usa dispositivos médicos de este tipo. Deje de usar el Look Watch inmediatamente si tiene alguna duda sobre la interferencia con su marcapasos, desfibrilador o cualquier otro dispositivo médico. También puede desactivar las funciones inalámbricas en el Look Watch siguiendo los siguientes pasos:

- Presione el botón de encendido para activar el reloj
- Deslice su dedo hacia abajo y deslice de derecha a izquierda hacia la pantalla de configuración
- Toque los iconos de WiFi, BT, Teléfono Celular y GPS para desactivarlos

La temperatura de funcionamiento estándar del Look Watch es de 0 a 45 ° C (32 a 113° F).

El Look Watch puede dañarse y acortarse la vida útil de la batería si se guarda o funciona fuera de estos rangos de temperatura. Si la temperatura del Look Watch excede las temperaturas de operación promedio, la pantalla puede oscurecerse, y la carga se ralentizará a medida que el circuito electrónico intente regular sus funciones. Además, el exponerlo en contacto con calurosos durante largos períodos de tiempo puede causar incomodidad o lesiones. El Look Watch y sus accesorios se calentarán cuando se conecte a una fuente de alimentación. Mientras el Look Watch se está cargando, no se acueste con él puesto ni lo coloque debajo de una manta, almohada o su cuerpo. Preste atención adicional si su piel sufre de anomalías debido a temperaturas cálidas; quítese el Look Watch si no es cómodo de usar.

1.g Seguridad de Radiofrecuencia

El Look Watch es un transmisor y receptor de radio que usa antenas internas para enviar y recibir radiofrecuencia (RF) para datos y comunicaciones de voz. El Look Watch cumple con los requisitos de exposición a ondas de radio de los EE. UU., Canadá y la UE. Está diseñado y fabricado para no exceder los límites de emisión de energía de RF establecidos por la Comisión Federal de Comunicaciones (FCC), Industry Canada (IC) y el Reglamento de la Unión Europea (CE) para garantizar la seguridad de todas las personas, independientemente de su edad o condición.

1.h Propiedad Intelectual

Toda Propiedad Intelectual, según se define a continuación, propiedad de *Laipac* o de sus proveedores respectivos, o que sea propiedad de *Laipac*, incluidos, entre otros, accesorios, partes o software relacionado (el "dispositivo móvil"), es propiedad de *Laipac* y está protegida por leyes federales, leyes estatales y disposiciones de tratados internacionales. La propiedad intelectual incluye, pero no se limita a, invenciones (patentables o no patentables), patentes, secretos comerciales, derechos de autor, software, programas informáticos y documentación relacionada y otras obras de autoría. Usted no puede infringir ni violar de otro modo los derechos garantizados por la Propiedad Intelectual. Además, usted está de acuerdo con que no intentará modificar, preparar trabajos derivados, realizar ingeniería inversa, descompilar, desensamblar o intentar crear código fuente a partir del software. Ningún título ni propiedad sobre la Propiedad intelectual es transferido a usted. Todos los derechos aplicables de la Propiedad Intelectual se mantendrán con *Laipac* y sus proveedores.

Software de Código Abierto

Algunos componentes de software de este producto incorporan código fuente cubierto por la Licencia Pública General (GPL) de GNU, la Licencia Pública General Reducida de GNU (LGPL), la Licencia Open SSL, la Licencia BSD y otras licencias de fuente abierta.

2. GUÍA DE INICIO RÁPIDO

Felicitaciones por su compra del Look Watch. Ha hecho una excelente elección.

Cada Look Watch está construido con la más alta calidad para cumplir con la mayoría de los requisitos de seguridad. Los materiales utilizados en el Look Watch lo hacen excepcionalmente robusto y confiable bajo las condiciones más rigurosas. Este documento es una guía de inicio rápido que proporciona información sobre las funciones básicas del Look Watch. Para obtener más información y contenido exclusivo, visite el sitio web www.laipac.com.

COMPATIBILIDAD

Para hacer funcionar su Look Watch, necesitará tener un teléfono con Android 4.3+ o iOS 8.2+. Las funciones compatibles pueden variar entre plataformas.

ACCESORIOS INCLUIDOS CON EL LOOK WATCH

Su Look Watch debe tener un soporte cargador, un destornillador para la cubierta de la tarjeta SIM, un cable micro USB * y un enchufe de pared *.

SIM, un cable micro USB * y un enchufe de pared *.

* El diseño o la disponibilidad pueden variar según la región.



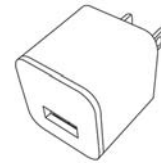
Adaptador
Clamshell



Cable Micro USB*

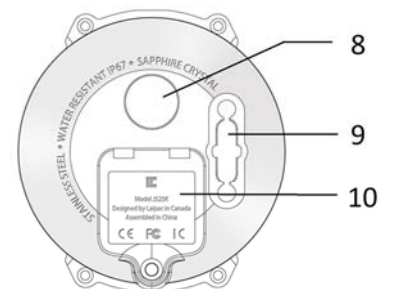
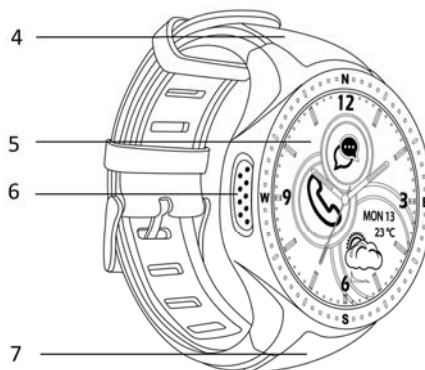
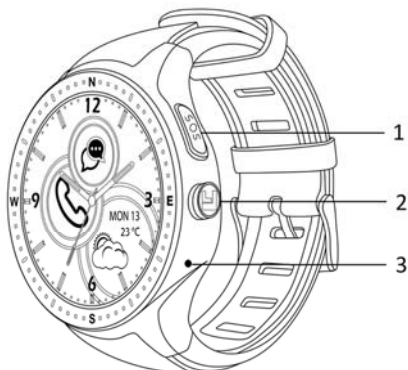


Destornillador*



Cargador USB para
pared*

Vista Frontal y Posterior del Look Watch

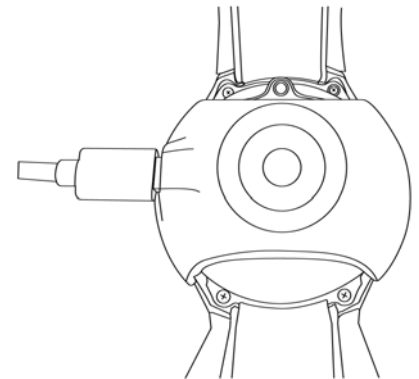


1. **Botón SOS:** presione para llamar al número de emergencia preprogramado y enviar un SMS
2. **Botón de Encendido/Volver:** Mantenga presionado para encender o apagar el dispositivo. Presione para encender la pantalla. Presione para volver a la pantalla anterior.
3. **Micrófono:** Detecta el comando de voz y realiza llamadas como un teléfono celular
4. **WiFi, Bluetooth y antenas GPS:** incrustadas dentro de la pulsera.
5. **Pantalla táctil:** mantenga presionado durante un segundo para cambiar el diseño de la cara del reloj, toque para abrir una aplicación o ingresar un carácter con el teclado.
6. **Altavoz:** reproduce música y contesta llamadas telefónicas como altavoz
7. **Antena del teléfono celular:** incrustada dentro de la pulsera
8. **Sensor de frecuencia cardíaca:** mide su frecuencia cardíaca en su muñeca con la aplicación Health
9. **Contactos de carga magnéticos:** colóquelos con el adaptador de carga tipo clamshell para cargar la batería
10. **Ranura para tarjeta SIM:** ábrala con el destornillador para insertar la tarjeta Nano SIM. Se recomienda el uso de una tarjeta SIM con un plan de voz y datos.

Prepare y cargue su dispositivo antes de usarlo.

Cargue la batería antes de usar el reloj por primera vez o cuando permanezca sin usarse por períodos prolongados. Advertencia: use sólo dispositivos de carga y baterías aprobadas por Laipac. Los accesorios Laipac están diseñados para maximizar la duración de la batería de su dispositivo. El uso de otros accesorios puede invalidar la garantía y causar daños.

1. Conecte el cable micro USB al enchufe de la pared y luego conecte el otro extremo del cable USB al adaptador tipo clamshell.
2. Enchufe la cabeza del cargador USB a una toma de corriente.
3. Coloque el Look Watch en el adaptador tipo clamshell para que coincida con los contactos de carga. Cuando conecte el Look Watch para cargar, y el dispositivo esté apagado, espere 10 segundos y luego presione el botón Encendido/Volver una vez para verificar el % de nivel de batería en la pantalla.



Consejos y Precauciones de Carga de la Batería

- Si la batería está completamente descargada, el Look Watch no se encenderá en 10 segundos después de haber sido conectado al cargador. Permita que la batería agotada se cargue durante unos minutos antes de presionar el botón Encendido/Volver para verificar el nivel de la batería o mantenga presionado para encender el Look Watch. Si usa varias aplicaciones a la vez, la batería se agotará rápidamente. Para evitar perder potencia durante una transferencia de datos, siempre use las aplicaciones después de cargar completamente la batería.
- El uso de una fuente de alimentación del USB de la computadora puede dar como resultado una velocidad de carga más lenta debido a un circuito de corriente más bajo. Lo mismo sucede si se carga el Look Watch con múltiples cargadores conectados a la misma toma de corriente.
- El Look Watch se puede utilizar mientras se está cargando, pero puede llevar más tiempo cargar completamente la batería. Si el Look Watch está conectado a una fuente de alimentación inestable, la pantalla puede no funcionar, si esto sucede, desconecte el Look Watch y use una fuente de alimentación más estable.

Cómo colocarse el Look Watch

Abra la hebilla y coloque y ajuste la correa en su muñeca, inserte el pasador en un orificio y asegure la hebilla para cerrarla. La pulsera no es intercambiable debido a las antenas incrustadas en su interior.

Modo Autónomo

No es necesario sincronizar el Look Watch con un teléfono inteligente. Puede insertar la tarjeta SIM de su proveedor de teléfono celular (tamaño Nano) para hacer y recibir llamadas y mensajes con un plan de voz y acceder a Internet con un plan de datos.

Conecte el Look Watch a un Teléfono Inteligente

Para conectar su reloj Look a un teléfono inteligente, vaya a Configuración>Conectar, luego seleccione Bluetooth y encienda el Bluetooth para buscar su teléfono. También active el Bluetooth de su teléfono y busque Look para el emparejamiento. Una vez que el emparejamiento está hecho, puede sincronizar su contacto de su teléfono con su reloj Look. Puede enviar y recibir mensajes usando la lista de contactos descargados. Es compatible con dispositivos de teléfono inteligente con Android 5.0+ o iOS 8.0+. Los métodos de conexión y las capturas de pantalla pueden variar según el teléfono y la versión del software, también según la región, el proveedor de servicios y el fabricante del dispositivo.

Llamada Bluetooth

También puede vincular su Look Watch con su teléfono inteligente a través de Bluetooth con la aplicación Bluetooth Call para hacer llamadas y recibir llamadas telefónicas a través su teléfono.

Pantalla y Caras del Reloj

Puede ver la hora actual y verificar la duración de la batería, la fecha, las llamadas perdidas y los mensajes. Además, el estado de la aplicación Guardian Angel Connect. Presione el botón Encendido/Atrás para abrir la pantalla del reloj cuando la pantalla del reloj está apagada. Toque y mantenga presionada la pantalla del reloj, y luego la cara del reloj se reducirá a un tamaño más pequeño. Luego puede deslizar hacia la izquierda y hacia la derecha para ver las caras de reloj disponibles. Toque la cara del reloj deseada para seleccionarlo. Para configurar la pantalla del reloj a estar encendida por más de 15 segundos, vaya a Configuración en el menú de la aplicación y seleccione Pantalla. Le permitirá seleccionar la duración de la pantalla del reloj desde 15 segundos a 30 minutos. La batería se consumirá más rápidamente cuando la pantalla del reloj esté activada durante un período más prolongado. La opción de activar la pantalla del reloj inclinando la muñeca está disponible a través del Gesto en Configuración.

3. GARANTÍA LIMITADA INTERNACIONAL

POR FAVOR LEA ESTE DOCUMENTO COMPLETO CUIDADOSAMENTE. CONTIENE INFORMACIÓN IMPORTANTE SOBRE SUS DERECHOS Y OBLIGACIONES

Sujeto a las exclusiones que figuran a continuación, Laipac Technology Inc. garantiza al primer consumidor/comprador del Look Watch que no habrá defectos en los materiales ni en la calidad bajo el uso normal del producto por parte del consumidor durante el período que se detalla a continuación. El primer consumidor/comprador acepta que no ha habido afirmaciones de hechos, promesas o

declaraciones hechas por Laipac relacionadas con los Productos y que forman parte de la base de la transacción. Las descripciones de los Productos cubiertos por esta Garantía limitada son sólo para fines de referencia, y no existe una garantía expresa o implícita de que los Productos se ajusten a la descripción.

ESTA GARANTÍA LIMITADA ES UN RECURSO EXCLUSIVO Y ÚNICO DEL CONSUMIDOR

y se aplica de la siguiente manera a los productos nuevos de Laipac comprados por consumidores en todos los países o territorios donde se haya designado un distribuidor autorizado de Laipac, y que estén acompañados por esta Garantía Limitada.

Duración de la Cobertura

Un (1) año desde la fecha de compra por parte del primer consumidor/comprador del Producto.

Exclusiones

Uso y desgaste normal: el mantenimiento periódico, la reparación y el reemplazo de productos consumibles de duración limitada (por ejemplo, banda de muñeca, acabados en decal, baterías y otros accesorios) debido al uso y desgaste normal están excluidos de la cobertura.

Abuso y uso indebido: defectos o daños que resulten de:

- Operación incorrecta, almacenamiento, mal uso o abuso, accidente o negligencia, incluidos, entre otros, daños físicos (grietas, arañazos, etc.) En la superficie del producto;
- Contacto con líquidos, agua, lluvia, humedad extrema o sudoración intensa, arena, suciedad o calor similar, calor extremo o comida;
- Uso de los productos con fines comerciales o someter los productos a condiciones o uso anormal; o
- Otros actos que no sean culpa o negligencia de laipac technology inc.

Uso de productos Laipac sin marca o que no estén certificados: Los defectos o daños que resulten del uso de productos, accesorios, software, cargadores u otros equipos periféricos que no tengan la marca de Laipac o estén certificados están excluidos de la cobertura.

Use el reloj con un equipo genuino suministrado por OEM: El Look Watch sólo está garantizado para funcionar con los teléfonos móviles y accesorios originales suministrados por el fabricante del equipo original (OEM) tal como se fabricaron originalmente. El Look Watch no está garantizado explícitamente para su uso con dispositivos de terceros manipulados o modificados en los que dichas modificaciones se hayan realizado sin la aprobación de OEM o sus representantes autorizados.

Servicio técnico no autorizado o modificación de los productos Laipac: Defectos o daños resultantes del servicio técnico, prueba, ajuste, instalación, mantenimiento, alteración o modificación de cualquier manera por alguien que no sea un ingeniero certificado de Laipac o sus centros de servicio autorizados, están excluidos de la cobertura.

Productos alterados o modificados con:

- Números de serie o etiquetas de fecha que se hayan eliminado, alterado o borrado;
- Sellos rotos o que muestren evidencia de manipulación,
- Números de serie de la placa no coincidentes,
- Carcasas o partes no conformes o que no sean del look watch; o
- Cualquier otra alteración o modificación no aprobada por laipac queda excluida de la cobertura.

Dispositivos de comunicación: los defectos, daños o fallas de los productos debidos a cualquier servicio de comunicación, dispositivo o señal que al que usted pueda suscribirse o usar con los productos están excluidos de la cobertura.

¿Quién está cubierto?

Esta Garantía Limitada se extiende sólo al primer comprador consumidor y no es transferible.

¿Qué hará Laipac?

Los consumidores que crean que su Look Watch está defectuoso, deben comunicarse con los centros de servicio autorizados de *Laipac* que se detallan a continuación. *Laipac* confirmará que los productos son defectuosos a su exclusivo criterio, una vez que *Laipac* o sus centros autorizados de servicio los prueben. Si se determina que un Producto es defectuoso según los términos de esta Garantía Limitada, *Laipac* reparará o reemplazará, según su criterio, cualquier Producto que no cumpla con esta garantía. Este será el único recurso del consumidor. *Laipac* se reserva el derecho de utilizar productos, accesorios o piezas funcionalmente equivalentes reacondicionados / renovados/ usados o nuevos en el proceso de garantía. No se agregará hardware, datos, software o aplicaciones a su Producto, incluidos, entre otros, datos de contacto personal. Los números de marcación rápida serán reinstalados. Para evitar perder dicho hardware, datos, software y aplicaciones, cree una copia de seguridad o elimine el hardware antes de solicitar el servicio.

Cómo Obtener Servicio De Garantía u Otro Tipo de Información

Para que pueda obtener servicios en virtud de esta Garantía limitada, debe comunicarse con uno de los centros de servicio al cliente de *Laipac*:

Detalle de contacto

Laipac Technology Inc.
20 Mural St. Unit 5 Richmond Hill
Ontario Canada L4B 1K3
Tel: (905) 762-1228
Email: info@laipac.com

Recibirá instrucciones sobre cómo enviar los Productos a un centro de servicio al cliente autorizado de *Laipac*. Usted será responsable de todos los costos asociados con el envío de los Productos al centro de servicio autorizado de *Laipac*.

Para obtener servicio, debe incluir:

- un formulario de Autorización de Devolución (RMA) obtenido de un Centro de Servicio al Cliente Autorizado de *Laipac*;
- una copia de su recibo, factura de venta u otro comprobante de compra comparable;
- su Look Watch

No se aceptarán devoluciones sin un formulario RMA debidamente completado.

¿Qué Otras Limitaciones Hay?

LA REPARACIÓN O EL REEMPLAZO SEGÚN LO DISPUESTO BAJO ESTA GARANTÍA LIMITADA EXPRESA ES EL REMEDIO EXCLUSIVO PARA EL CONSUMIDOR. LAIPAC NO OTORGA NINGUNA OTRA GARANTÍA DE NINGÚN TIPO, EXPRESA O IMPLÍCITA. ESTA GARANTÍA LIMITADA EXPRESA EXCLUYE TODAS LAS GARANTÍAS IMPLÍCITAS, INCLUYENDO LAS GARANTÍAS IMPLÍCITAS DE COMERCIABILIDAD E IDONEIDAD PARA UN FIN DETERMINADO, Y CUALQUIERA DE LAS GARANTÍAS IMPLÍCITAS, QUE EXCEDEN LA OBLIGACIÓN DESCRITA ANTERIORMENTE, QUEDAN RECHAZADAS POR LAIPAC Y EXCLUIDAS DE ESTA GARANTÍA LIMITADA EXPRESA. NO HAY OTRAS GARANTÍAS PARA ESTE PRODUCTO QUE SE EXTIENDAN MÁS ALLÁ DE LA DESCRIPCIÓN EN LA PRESENTE. NINGUNA ACCIÓN, INDEPENDIEMENTE DEL FORMULARIO, QUE SURJA DE ESTE ACUERDO, INCLUIDOS, ENTRE OTROS, LA GARANTÍA O EL CONTRATO DE VENTA, PUEDE SER PRESENTADO MÁS DE UN (1) AÑO DESPUÉS DE QUE SE HAYA ACEPTADO LA CAUSA DE ACCIÓN. SE ENTIENDE Y ACEPTA QUE EN NINGÚN CASO LAIPAC SERÁ RESPONSABLE, YA SEA POR CONTRATO, EN AGRAVIO (INCLUYENDO, SIN LIMITACIÓN, LA NEGLIGENCIA), O BAJO NINGUNA GARANTÍA, POR: (1) DAÑOS EN EXCESO DEL PRECIO DE COMPRA PAGADO POR EL PRODUCTO; (2) CUALQUIER DAÑO INDIRECTO, INCIDENTAL, ESPECIAL, CONSIGUIENTE O CUALQUIER OTRO TIPO (INCLUIDOS, ENTRE OTROS, LOS HONORARIOS Y COSTOS DE ABOGADOS) DE CUALQUIER TIPO; (3) CUALQUIER PÉRDIDA DE INGRESOS O GANANCIAS; (4) CUALQUIER PÉRDIDA DE NEGOCIO O DE BUENA VOLUNTAD; (5) CUALQUIER PÉRDIDA DE INFORMACIÓN, DATOS, SOFTWARE, APLICACIONES; O (6) CUALQUIER OTRA PÉRDIDA FINANCIERA DERIVADA O EN CONEXIÓN CON LA CAPACIDAD O INCAPACIDAD DE USAR LOS PRODUCTOS, EN LA MEDIDA EN QUE ESTOS DAÑOS PUEDAN SER RECHAZADOS POR LA LEY. EL PRECIO PAGADO POR EL PRODUCTO ES UNA CONSIDERACIÓN PARA LIMITAR LA RESPONSABILIDAD DE LAIPAC AL REEMBOLSO DE NO MÁS DEL PRECIO DE COMPRA PAGADO POR EL CONSUMIDOR. EL CONSUMIDOR ASUME TODO EL RIESGO Y LA RESPONSABILIDAD POR PÉRDIDAS, DAÑOS O LESIONES A CUALQUIER PERSONA O PROPIEDAD QUE SURJA DEL USO O POSESIÓN DE CUALQUIER PRODUCTO LAIPAC CUBIERTO POR ESTA GARANTÍA LIMITADA, QUE NO ES LA FALTA O NEGLIGENCIA DE LAIPAC.

En algunos estados, países y jurisdicciones no se permite la limitación o exclusión de responsabilidad, daños incidentales o consecuentes, o la limitación de la duración de una garantía implícita, por lo que las limitaciones o exclusiones anteriores pueden no aplicarse a usted. Esta Garantía le otorga derechos legales específicos, y también puede tener otros derechos que varían de un estado a otro o de una jurisdicción a otra. El consumidor reconoce y acepta que ha leído, o ha elegido voluntariamente no leer, después de recibir una oportunidad razonable de hacerlo, el manual de instrucciones para este Producto que está disponible en www.laipac.com o que vino con el producto ya sea en papel o en formato PDF antes de su uso. El consumidor además reconoce y acepta que ha leído, o ha elegido voluntariamente no leer, después de que se le haya dado una oportunidad razonable de hacerlo, la Garantía limitada para este Producto. El consumidor reconoce y acepta todos los términos establecidos en esta Garantía Limitada. El primer consumidor/comprador reconoce y acepta que no será considerado como comerciante. Las leyes en Canadá, los Estados Unidos de América y otros países preservan para Laipac ciertos derechos exclusivos sobre el software de Laipac protegido por derechos de autor, como los derechos exclusivos para reproducir y distribuir copias del software de Laipac. El software de Laipac sólo se puede copiar, usar y redistribuir con los Productos asociados con dicho software de Laipac. No se permite ningún otro uso, incluido, entre otros, el desmontaje de dicho software Laipac o el ejercicio de los derechos exclusivos reservados para Laipac.

Garantías de la Ley de Exportaciones

Este producto está controlado por las regulaciones de exportación de Canadá y los Estados Unidos de América. Los Gobiernos de Canadá y los Estados Unidos de América pueden restringir la exportación o reexportación de este Producto a destinos específicos. Para obtener más información, comuníquese con el Departamento de Relaciones Exteriores de Canadá y el Departamento de Comercio de EE. UU.

Marcas y patentes

Laipac y el Look Watch son marcas comerciales de Laipac y no se pueden usar sin permiso. Los logotipos de Laipac y Look Watch están registrados en la Oficina de Patentes y Marcas de los Estados Unidos y en todo el mundo con la Organización Mundial de la Propiedad Intelectual bajo el protocolo de Madrid y son propiedad de Laipac Technology, Inc. y cualquier uso de dichas marcas por parte de Laipac Technology se realiza bajo licencia. Los nombres de otras compañías, productos y servicios son propiedad de sus respectivos dueños. Laipac se reserva sus derechos absolutamente en todas y cada una de sus patentes y patentes pendientes a nivel mundial.

Severabilidad

Si alguna cláusula o disposición de esta Garantía Limitada es negada porque una disposición o cláusula, o su aplicación, se considera inválida, y dicha invalidez podría cambiar o modificar las obligaciones de las partes según se contempla a la luz de la supuesta validez de tal disposición o cláusula o su aplicación, el resto de esta Garantía limitada no se verá afectado.

Gracias por elegir Look Watch